

## 3.3-V / 5-V HIGH-SPEED DIGITAL ISOLATORS

Check for Samples: [ISO721](#), [ISO721M](#), [ISO722](#), [ISO722M](#)

### FEATURES

- **4000-V<sub>(peak)</sub> Isolation, 560-V<sub>peak</sub> V<sub>IORM</sub>**
  - UL 1577, IEC 60747-5-2 (VDE 0884, Rev. 2) IEC 61010-1, IEC 60950-1 and CSA Approved
  - 50 kV/μs Transient Immunity, Typical
- **Signaling Rate 0 Mbps to 150 Mbps**
  - Low Propagation Delay
  - Low Pulse Skew (Pulse-Width Distortion)
- **Low-Power Sleep Mode**
- **High Electromagnetic Immunity**
- **Low Input-Current Requirement**
- **Failsafe Output**
- **Drop-In Replacement for Most Opto and Magnetic Isolators**

### APPLICATIONS

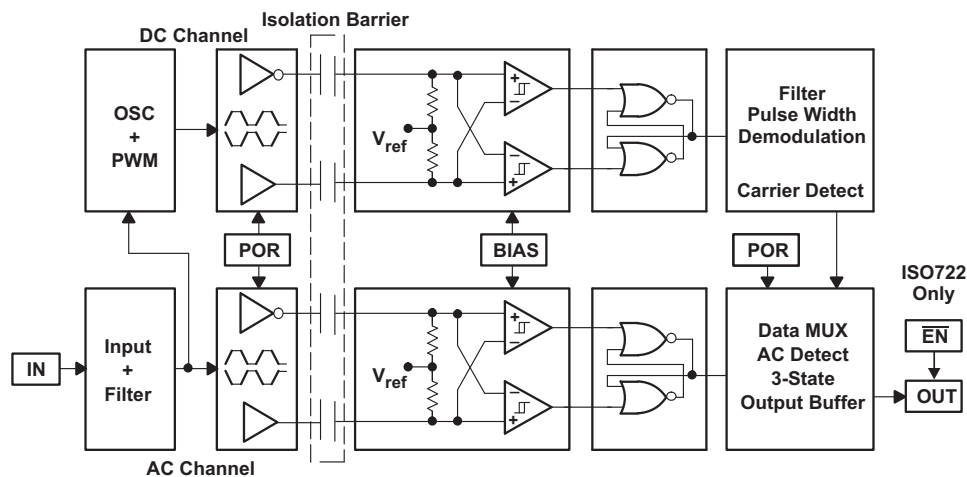
- **Industrial Fieldbus**
  - Modbus
  - Profibus
  - DeviceNet™ Data Buses
  - Smart Distributed Systems (SDS™)
- **Computer Peripheral Interface**
- **Servo Control Interface**
- **Data Acquisition**

### DESCRIPTION

The ISO721, ISO721M, ISO722, and ISO722M are digital isolators with a logic input and output buffer separated by a silicon dioxide (SiO<sub>2</sub>) insulation barrier. This barrier provides galvanic isolation of up to 4000 V. Used in conjunction with isolated power supplies, these devices prevent noise currents on a data bus or other circuits from entering the local ground, and interfering with or damaging sensitive circuitry.

A binary input signal is conditioned, translated to a balanced signal, then differentiated by the capacitive isolation barrier. Across the isolation barrier, a differential comparator receives the logic transition information, then sets or resets a flip-flop and the output circuit accordingly. A periodic update pulse is sent across the barrier to ensure the proper dc level of the output. If this dc-refresh pulse is not received for more than 4 μs, the input is assumed to be unpowered or not being actively driven, and the failsafe circuit drives the output to a logic-high state.

### FUNCTION DIAGRAM



Please be aware that an important notice concerning availability, standard warranty, and use in critical applications of Texas Instruments semiconductor products and disclaimers thereto appears at the end of this data sheet.

SDS is a trademark of Honeywell.

DeviceNet is a trademark of Open DeviceNet Vendors Association, Inc.



These devices have limited built-in ESD protection. The leads should be shorted together or the device placed in conductive foam during storage or handling to prevent electrostatic damage to the MOS gates.

## DESCRIPTION (CONTINUED)

The symmetry of the dielectric and capacitor within the integrated circuitry provides for close capacitive matching, and allows fast transient voltage changes between the input and output grounds without corrupting the output. The small capacitance and resulting time constant provide for fast operation with signaling rates<sup>(1)</sup> from 0 Mbps (dc) to 100 Mbps for the ISO721/ISO722, and 0 Mbps to 150 Mbps with the ISO721M/ISO722M.

These devices require two supply voltages of 3.3-V, 5-V, or any combination. All inputs are 5-V tolerant when supplied from a 3.3-V supply and all outputs are 4-mA CMOS.

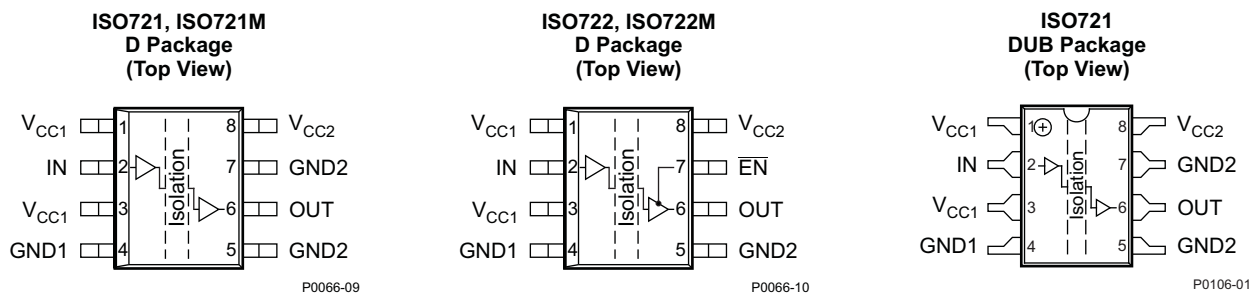
The ISO722 and ISO722M devices include an active-low output enable that when driven to a high logic level, places the output in a high-impedance state and turns off internal bias circuitry to conserve power.

Both the ISO721 and ISO722 have TTL input thresholds and a noise filter at the input that prevent transient pulses of up to 2 ns in duration from being passed to the output of the device.

The ISO721M and ISO722M have CMOS  $V_{CC}/2$  input thresholds, but do not have the noise-filter and the additional propagation delay. These features of the ISO721M also provide for reduced-jitter operation.

The ISO721, ISO721M, ISO722, and ISO722M are characterized for operation over the ambient temperature range of  $-40^{\circ}\text{C}$  to  $125^{\circ}\text{C}$ .

(1) The signaling rate of a line is the number of voltage transitions that are made per second expressed in the units bps (bits per second).



## AVAILABLE OPTIONS

PRODUCT	OUTPUT ENABLED	INPUT THRESHOLDS	NOISE FILTER	PACKAGE <sup>(1)</sup>	MARKED AS	ORDERING NUMBER
ISO721	NO	TTL	YES	D-8	ISO721	ISO721D (rail)
				DUB-8		ISO721DR (reel)
ISO721M	NO	CMOS	NO	D-8	ISO721M	ISO721DUB (rail)
						ISO721MDR (reel)
ISO722	YES	TTL	YES	D-8	ISO722	ISO721D (rail)
						ISO722DR (reel)
ISO722M	YES	CMOS	NO	D-8	ISO722M	ISO722MD (rail)
						ISO722MDR (reel)

(1) For the most current package and ordering information, see the Package Option Addendum at the end of this document, or see the TI Web site at [www.ti.com](http://www.ti.com).

**Table 1. REGULATORY INFORMATION**

VDE	CSA	UL
Certified according to IEC 60747-5-2	Approved under CSA Component Acceptance notice: CA-5A	Recognized under 1577 Component Recognition Program <sup>(1)</sup>
File number: 40016131	File number: 1698195	File number: E181974

(1) Production tested  $\geq 3000 V_{RMS}$  for 1 second in accordance with UL 1577.

**ABSOLUTE MAXIMUM RATINGS<sup>(1)</sup>**

				UNIT	
$V_{CC}$	Supply voltage <sup>(2)</sup> , $V_{CC1}$ , $V_{CC2}$			–0.5 V to 6 V	
$V_I$	Voltage at IN, OUT, or $\overline{EN}$ terminal			–0.5 V to 6 V	
$I_O$	Output current			$\pm 15$ mA	
ESD	Electrostatic discharge	Human-body model	JEDEC Standard 22, Test Method A114-C.01	All pins	$\pm 2$ kV
		Charged-device model	JEDEC Standard 22, Test Method C101		$\pm 1$ kV
$T_J$	Maximum junction temperature			170°C	

- (1) Stresses beyond those listed under *Absolute Maximum Ratings* may cause permanent damage to the device. These are stress ratings only, and functional operation of the device at these or any other conditions beyond those indicated under *Recommended Operating Conditions* is not implied. Exposure to absolute-maximum-rated conditions for extended periods may affect device reliability.
- (2) All voltage values except differential I/O bus voltages are with respect to network ground terminal and are peak voltage values.  $V_{rms}$  values are not listed in this publication.

**RECOMMENDED OPERATING CONDITIONS**

			MIN	TYP	MAX	UNIT
$V_{CC}$	Supply voltage <sup>(1)</sup> , $V_{CC1}$ , $V_{CC2}$		3		5.5	V
$I_{OH}$	Output current				4	mA
$I_{OL}$			–4			
$t_{ui}$	Input pulse duration	ISO72x		10		ns
		ISO72xM		6.67		
$V_{IH}$	High-level input voltage (IN, $\overline{EN}$ )	ISO72x	2		$V_{CC}$	V
$V_{IL}$	Low-level input voltage (IN, $\overline{EN}$ )	ISO72x	0		0.8	
$V_{IH}$	High-level input voltage (IN, $\overline{EN}$ )	IOS72xM		0.7 $V_{CC}$		V
$V_{IL}$	Low-level input voltage (IN, $\overline{EN}$ )			0		
$T_J$	Junction temperature	See the Thermal Characteristics table			150	°C
H	External magnetic field intensity per IEC 61000-4-8 and IEC 61000-4-9 certification				1000	A/m

(1) For the 5-V operation,  $V_{CC1}$  or  $V_{CC2}$  is specified from 4.5 V to 5.5 V. For the 3-V operation,  $V_{CC1}$  or  $V_{CC2}$  is specified from 3 V to 3.6 V.

## INSULATION CHARACTERISTICS<sup>(1)</sup>

over recommended operating conditions (unless otherwise noted)

PARAMETER		TEST CONDITIONS	SPECIFICATIONS	UNIT
V <sub>IORM</sub>	Maximum working insulation voltage		560	V <sub>peak</sub>
V <sub>PR</sub>	Input to output test voltage	After Input/Output Safety Test Subgroup 2/3 V <sub>PR</sub> = V <sub>IORM</sub> × 1.2, t = 10 s, Partial discharge < 5 pC	672	V <sub>peak</sub>
		Method a, V <sub>PR</sub> = V <sub>IORM</sub> × 1.6, Type and sample test with t = 10 s, Partial discharge < 5 pC	896	V <sub>peak</sub>
		Method b1, V <sub>PR</sub> = V <sub>IORM</sub> × 1.875, 100% production test with t = 1 s, Partial discharge < 5 pC	1050	V <sub>peak</sub>
V <sub>IOTM</sub>	Transient overvoltage	t = 60 s	4000	V <sub>peak</sub>
V <sub>ISO</sub>	Isolation voltage per UL	V <sub>TEST</sub> = V <sub>ISO</sub> , t = 60 s (qualification)	3535 / 2500	V <sub>peak</sub> /V <sub>rms</sub>
		V <sub>TEST</sub> = 1.2 × V <sub>ISO</sub> , t = 1 s (100% production) <sup>(2)</sup>	4242 / 3000	
R <sub>S</sub>	Insulation resistance	V <sub>IO</sub> = 500 V at T <sub>S</sub>	>10 <sup>9</sup>	Ω
	Pollution degree		2	

(1) Climatic classification 40/125/21

(2) Based on lifetime curve (see the *High-Voltage Lifetime of the ISO72x Family of Digital Isolators* application report, [SLLA197](#)); these devices can withstand 4242 V<sub>peak</sub> / 3000 V<sub>rms</sub> for > 10,000 s at 150°C.

## ELECTRICAL CHARACTERISTICS: $V_{CC1}$ and $V_{CC2}$ 5-V<sup>(1)</sup> OPERATION

over recommended operating conditions (unless otherwise noted)

PARAMETER		TEST CONDITIONS	MIN	TYP	MAX	UNIT		
$I_{CC1}$	$V_{CC1}$ supply current	Quiescent	$V_I = V_{CC}$ or 0 V, no load	0.5	1	mA		
		25 Mbps		2	4			
$I_{CC2}$	$V_{CC2}$ supply current	ISO722/722M Sleep Mode	$V_I = V_{CC}$ or 0 V, No load	$\overline{EN}$ at $V_{CC}$		200	$\mu$ A	
		Quiescent		$\overline{EN}$ at 0 V or ISO721/721M		8		12
		25 Mbps		$V_I = V_{CC}$ or 0 V, no load		10		14
$V_{OH}$	High-level output voltage	$I_{OH} = -4$ mA, See <a href="#">Figure 1</a>	$V_{CC} - 0.8$	4.6		V		
		$I_{OH} = -20$ $\mu$ A, See <a href="#">Figure 1</a>	$V_{CC} - 0.1$	5				
$V_{OL}$	Low-level output voltage	$I_{OL} = 4$ mA, See <a href="#">Figure 1</a>		0.2	0.4	V		
		$I_{OL} = 20$ $\mu$ A, See <a href="#">Figure 1</a>		0	0.1			
$V_{I(HYS)}$	Input voltage hysteresis			150		mV		
$I_{IH}$	High-level input current	$\overline{EN}$ , IN at 2 V			10	$\mu$ A		
$I_{IL}$	Low-level input current	$\overline{EN}$ , IN at 0.8 V	-10					
$I_{OZ}$	High-impedance output current	ISO722, ISO722M	$\overline{EN}$ , IN at $V_{CC}$		1	$\mu$ A		
$C_I$	Input capacitance to ground	IN at $V_{CC}$ , $V_I = 0.4 \sin(4E6\pi t)$		1		pF		
CMTI	Common-mode transient immunity	$V_I = V_{CC}$ or 0 V, See <a href="#">Figure 5</a>	25	50		kV/ $\mu$ s		

 (1) For 5-V operation,  $V_{CC1}$  and  $V_{CC2}$  are specified from 4.5 V to 5.5 V.

## SWITCHING CHARACTERISTICS: $V_{CC1}$ and $V_{CC2}$ 5-V OPERATION

over recommended operating conditions (unless otherwise noted)

PARAMETER		TEST CONDITIONS	MIN	TYP	MAX	UNIT
$t_{PLH}$	Propagation delay, low-to-high-level output	$\overline{EN}$ at 0 V, See <a href="#">Figure 1</a>	13	17	24	ns
$t_{PHL}$	Propagation delay, high-to-low-level output		13	17	24	
$t_{sk(p)}$	Pulse skew $ t_{PHL} - t_{PLH} $		0.5	2		ns
$t_{PLH}$	Propagation delay, low-to-high-level output		8	10	16	
$t_{PHL}$	Propagation delay, high-to-low-level output		8	10	16	ns
$t_{sk(p)}$	Pulse skew $ t_{PHL} - t_{PLH} $		0.5	1		
$t_{sk(pp)}^{(1)}$	Part-to-part skew		0	3	ns	
$t_r$	Output signal rise time	$\overline{EN}$ at 0 V, See <a href="#">Figure 1</a>		1		ns
$t_f$	Output signal fall time			1		
$t_{pHZ}$	Sleep-mode propagation delay, high-level-to-high-impedance output	See <a href="#">Figure 2</a>	6	8	15	ns
$t_{pZH}$	Sleep-mode propagation delay, high-impedance-to-high-level output		3.5	4	8	
$t_{pLZ}$	Sleep-mode propagation delay, low-level-to-high-impedance output	See <a href="#">Figure 3</a>	5.5	8	15	ns
$t_{pZL}$	Sleep-mode propagation delay, high-impedance-to-low-level output		4	5	8	
$t_{fs}$	Failsafe output delay time from input power loss	See <a href="#">Figure 4</a>		3		$\mu$ s
$t_{jit(PP)}$	Peak-to-peak eye-pattern jitter	ISO72x	100-Mbps NRZ data input, See <a href="#">Figure 6</a>	2		ns
			100-Mbps unrestricted bit run length data input, See <a href="#">Figure 6</a>	3		
		ISO72xM	150-Mbps NRZ data input, See <a href="#">Figure 6</a>	1		
			150-Mbps unrestricted bit run length data input, See <a href="#">Figure 6</a>	2		

 (1)  $t_{sk(PP)}$  is the magnitude of the difference in propagation delay times between any specified terminals of two devices when both devices operate with the same supply voltages, at the same temperature, and have identical packages and test circuits.

## ELECTRICAL CHARACTERISTICS: $V_{CC1}$ at 5-V, $V_{CC2}$ at 3.3-V<sup>(1)</sup> OPERATION

over recommended operating conditions (unless otherwise noted)

PARAMETER		TEST CONDITIONS	MIN	TYP	MAX	UNIT	
$I_{CC1}$	$V_{CC1}$ supply current	Quiescent	$V_I = V_{CC}$ or 0 V, no load	0.5	1	mA	
		25 Mbps		2	4		
$I_{CC2}$	$V_{CC2}$ supply current	ISO722/722M Sleep mode	$V_I = V_{CC}$ or 0 V, No load	$\overline{EN}$ at $V_{CC}$		150	$\mu$ A
		Quiescent		$\overline{EN}$ at 0 V or ISO721/721M		4	
		25 Mbps	$V_I = V_{CC}$ or 0 V, no load		5	7.5	mA
$V_{OH}$	High-level output voltage	$I_{OH} = -4$ mA, See <a href="#">Figure 1</a>	$V_{CC} - 0.4$	3	V		
		$I_{OH} = -20$ $\mu$ A, See <a href="#">Figure 1</a>	$V_{CC} - 0.1$	3.3			
$V_{OL}$	Low-level output voltage	$I_{OL} = 4$ mA, See <a href="#">Figure 1</a>	0.2	0.4	V		
		$I_{OL} = 20$ $\mu$ A, See <a href="#">Figure 1</a>	0	0.1			
$V_{I(HYS)}$	Input voltage hysteresis		150		mV		
$I_{IH}$	High-level input current	$\overline{EN}$ , IN at 2 V			10	$\mu$ A	
$I_{IL}$	Low-level input current	$\overline{EN}$ , IN at 0.8 V	-10			$\mu$ A	
$I_{OZ}$	High-impedance output current	ISO722, ISO722M $\overline{EN}$ , IN at $V_{CC}$			1	$\mu$ A	
$C_1$	Input capacitance to ground	IN at $V_{CC}$ , $V_I = 0.4 \sin(4E6\pi t)$		1		pF	
CMTI	Common-mode transient immunity	$V_I = V_{CC}$ or 0 V, See <a href="#">Figure 5</a>	25	40		kV/ $\mu$ s	

(1) For 5-V operation,  $V_{CC1}$  is specified from 4.5 V to 5.5 V. For 3.3-V operation,  $V_{CC2}$  is specified from 3 V to 3.6 V.

## SWITCHING CHARACTERISTICS: $V_{CC1}$ at 5-V, $V_{CC2}$ at 3.3-V OPERATION

over recommended operating conditions (unless otherwise noted)

PARAMETER		TEST CONDITIONS	MIN	TYP	MAX	UNIT
$t_{PLH}$	Propagation delay, low-to-high-level output	$\overline{EN}$ at 0 V, See <a href="#">Figure 1</a>	15	19	30	ns
$t_{PHL}$	Propagation delay, high-to-low-level output		15	19	30	
$t_{sk(p)}$	Pulse skew $ t_{PHL} - t_{PLH} $		0.5	3	ns	
$t_{PLH}$	Propagation delay, low-to-high-level output		10	12	20	ns
$t_{PHL}$	Propagation delay, high-to-low-level output		10	12	20	
$t_{sk(p)}$	Pulse skew $ t_{PHL} - t_{PLH} $		0.5	1	ns	
$t_{sk(pp)}$ <sup>(1)</sup>	Part-to-part skew		0	5	ns	
$t_r$	Output signal rise time	$\overline{EN}$ at 0 V, See <a href="#">Figure 1</a>		2		ns
$t_f$	Output signal fall time			2		
$t_{pHZ}$	Sleep-mode propagation delay, high-level-to-high-impedance output	See <a href="#">Figure 2</a>	7	11	25	ns
$t_{pZH}$	Sleep-mode propagation delay, high-impedance-to-high-level output		4.5	6	8	
$t_{pLZ}$	Sleep-mode propagation delay, low-level-to-high-impedance output	See <a href="#">Figure 3</a>	7	13	25	ns
$t_{pZL}$	Sleep-mode propagation delay, high-impedance-to-low-level output		4.5	6	8	
$t_s$	Failsafe output delay time from input power loss	See <a href="#">Figure 4</a>		3		$\mu$ s
$t_{jit(PP)}$	Peak-to-peak eye-pattern jitter	ISO72x	100-Mbps NRZ data input, See <a href="#">Figure 6</a>	2	ns	
			100-Mbps unrestricted bit run length data input, See <a href="#">Figure 6</a>	3		
		ISO72xM	150-Mbps NRZ data input, See <a href="#">Figure 6</a>	1		
			150-Mbps unrestricted bit run length data input, See <a href="#">Figure 6</a>	2		

(1)  $t_{sk(PP)}$  is the magnitude of the difference in propagation delay times between any specified terminals of two devices when both devices operate with the same supply voltages, at the same temperature, and have identical packages and test circuits.

**ELECTRICAL CHARACTERISTICS:  $V_{CC1}$  at 3.3-V,  $V_{CC2}$  at 5-V<sup>(1)</sup> OPERATION**

over recommended operating conditions (unless otherwise noted)

PARAMETER		TEST CONDITIONS	MIN	TYP	MAX	UNIT
$I_{CC1}$	$V_{CC1}$ supply current	Quiescent	$V_I = V_{CC}$ or 0 V, no load	0.3	0.5	mA
		25 Mbps		1	2	
$I_{CC2}$	$V_{CC2}$ supply current	ISO722/722M Sleep mode	$V_I = V_{CC}$ or 0 V, No load	200		$\mu$ A
		Quiescent		$\overline{EN}$ at $V_{CC}$	8	
		25 Mbps	$\overline{EN}$ at 0 V or ISO721/721M	10	14	
$V_{OH}$	High-level output voltage	$I_{OH} = -4$ mA, See <a href="#">Figure 1</a>	$V_{CC} - 0.8$	4.6	V	
		$I_{OH} = -20$ $\mu$ A, See <a href="#">Figure 1</a>	$V_{CC} - 0.1$	5		
$V_{OL}$	Low-level output voltage	$I_{OL} = 4$ mA, See <a href="#">Figure 1</a>	0.2	0.4	V	
		$I_{OL} = 20$ $\mu$ A, See <a href="#">Figure 1</a>	0	0.1		
$V_{I(HYS)}$	Input voltage hysteresis		150		mV	
$I_{IH}$	High-level input current	$\overline{EN}$ , IN at 2 V			10	$\mu$ A
$I_{IL}$	Low-level input current	$\overline{EN}$ , IN at 0.8 V	-10			$\mu$ A
$I_{OZ}$	High-impedance output current	ISO722, ISO722M $\overline{EN}$ , IN at $V_{CC}$			1	$\mu$ A
$C_1$	Input capacitance to ground	IN at $V_{CC}$ , $V_I = 0.4 \sin(4E6\pi t)$		1		pF
CMTI	Common-mode transient immunity	$V_I = V_{CC}$ or 0 V, See <a href="#">Figure 5</a>	25	40		kV/ $\mu$ s

 (1) For 5-V operation,  $V_{CC2}$  is specified from 4.5 V to 5.5 V. For 3.3-V operation,  $V_{CC1}$  is specified from 3 V to 3.6 V.

**SWITCHING CHARACTERISTICS:  $V_{CC1}$  at 3.3-V,  $V_{CC2}$  at 5-V OPERATION**

over recommended operating conditions (unless otherwise noted)

PARAMETER		TEST CONDITIONS	MIN	TYP	MAX	UNIT	
$t_{PLH}$	Propagation delay, low-to-high-level output	$\overline{EN}$ at 0 V, See <a href="#">Figure 1</a>	15	17	30	ns	
$t_{PHL}$	Propagation delay, high-to-low-level output		15	17	30		
$t_{sk(p)}$	Pulse skew $ t_{PHL} - t_{PLH} $		0.5	2			
$t_{PLH}$	Propagation delay, low-to-high-level output		ISO72xM	10	12	21	ns
$t_{PHL}$	Propagation delay, high-to-low-level output			10	12	21	
$t_{sk(p)}$	Pulse skew $ t_{PHL} - t_{PLH} $			0.5	1		
$t_{sk(pp)}$ <sup>(1)</sup>	Part-to-part skew		0	5	ns		
$t_r$	Output signal rise time	$\overline{EN}$ at 0 V, See <a href="#">Figure 1</a>		1		ns	
$t_f$	Output signal fall time			1			
$t_{pHZ}$	Sleep-mode propagation delay, high-level-to-high-impedance output	See <a href="#">Figure 2</a>	7	9	15	ns	
$t_{pZH}$	Sleep-mode propagation delay, high-impedance-to-high-level output		4.5	5	8		$\mu$ s
$t_{pLZ}$	Sleep-mode propagation delay, low-level-to-high-impedance output	See <a href="#">Figure 3</a>	7	9	15	ns	
$t_{pZL}$	Sleep-mode propagation delay, high-impedance-to-low-level output		4.5	5	8		$\mu$ s
$t_s$	Failsafe output delay time from input power loss	See <a href="#">Figure 4</a>		3		$\mu$ s	
$t_{jit(PP)}$	Peak-to-peak eye-pattern jitter	ISO72x	100-Mbps NRZ data input, See <a href="#">Figure 6</a>	2	ns		
			100-Mbps unrestricted bit run length data input, See <a href="#">Figure 6</a>	3			
		ISO72xM	150-Mbps NRZ data input, See <a href="#">Figure 6</a>	1			
			150-Mbps unrestricted bit run length data input, See <a href="#">Figure 6</a>	2			

 (1)  $t_{sk(PP)}$  is the magnitude of the difference in propagation delay times between any specified terminals of two devices when both devices operate with the same supply voltages, at the same temperature, and have identical packages and test circuits.

## ELECTRICAL CHARACTERISTICS: $V_{CC1}$ and $V_{CC2}$ at 3.3-V<sup>(1)</sup> OPERATION

over recommended operating conditions (unless otherwise noted)

PARAMETER		TEST CONDITIONS		MIN	TYP	MAX	UNIT
$I_{CC1}$	$V_{CC1}$ supply current	Quiescent	$V_I = V_{CC}$ or 0 V, no load		0.3	0.5	mA
		25 Mbps			1	2	
$I_{CC2}$	$V_{CC2}$ supply current	ISO722/722M Sleep Mode	$V_I = V_{CC}$ or 0 V, No load			150	$\mu$ A
		Quiescent		$\overline{EN}$ at 0 V or ISO721/721M		4	
		25 Mbps	$V_I = V_{CC}$ or 0 V, no load		5	7.5	
$V_{OH}$	High-level output voltage	$I_{OH} = -4$ mA, See <a href="#">Figure 1</a>		$V_{CC} - 0.4$	3		V
		$I_{OH} = -20$ $\mu$ A, See <a href="#">Figure 1</a>		$V_{CC} - 0.1$	3.3		
$V_{OL}$	Low-level output voltage	$I_{OL} = 4$ mA, See <a href="#">Figure 1</a>			0.2	0.4	V
		$I_{OL} = 20$ $\mu$ A, See <a href="#">Figure 1</a>			0	0.1	
$V_{I(HYS)}$	Input voltage hysteresis				150		mV
$I_{IH}$	High-level input current	$\overline{EN}$ , IN at 2 V				10	$\mu$ A
$I_{IL}$	Low-level input current	$\overline{EN}$ , IN at 0.8 V		-10			$\mu$ A
$I_{OZ}$	High-impedance output current	ISO722, ISO722M	$\overline{EN}$ , IN at $V_{CC}$			1	$\mu$ A
$C_1$	Input capacitance to ground	IN at $V_{CC}$ , $V_I = 0.4 \sin(4E6\pi t)$			1		pF
CMTI	Common-mode transient immunity	$V_I = V_{CC}$ or 0 V, See <a href="#">Figure 5</a>		25	40		kV/ $\mu$ s

(1) For the 3.3-V operation,  $V_{CC1}$  and  $V_{CC2}$  are specified from 3 V to 3.6 V.

## SWITCHING CHARACTERISTICS: $V_{CC1}$ and $V_{CC2}$ at 3.3-V OPERATION

over recommended operating conditions (unless otherwise noted)

PARAMETER		TEST CONDITIONS		MIN	TYP	MAX	UNIT
$t_{PLH}$	Propagation delay, low-to-high-level output	ISO72x	$\overline{EN}$ at 0 V, See <a href="#">Figure 1</a>	17	20	34	ns
$t_{PHL}$	Propagation delay, high-to-low-level output			17	20	34	ns
$t_{sk(p)}$	Pulse skew $ t_{PHL} - t_{PLH} $				0.5	3	ns
$t_{PLH}$	Propagation delay, low-to-high-level output	ISO72xM		10	12	25	ns
$t_{PHL}$	Propagation delay, high-to-low-level output			10	12	25	ns
$t_{sk(p)}$	Pulse skew $ t_{PHL} - t_{PLH} $				0.5	1	ns
$t_{sk(pp)}$ <sup>(1)</sup>	Part-to-part skew				0	5	ns
$t_r$	Output signal rise time	$\overline{EN}$ at 0 V, See <a href="#">Figure 1</a>			2		ns
$t_f$	Output signal fall time				2		
$t_{pHZ}$	Sleep-mode propagation delay, high-level-to-high-impedance output	ISO722 ISO722M	See <a href="#">Figure 2</a>	7	13	25	ns
$t_{pZH}$	Sleep-mode propagation delay, high-impedance-to-high-level output			5	6	8	$\mu$ s
$t_{pLZ}$	Sleep-mode propagation delay, low-level-to-high-impedance output			7	13	25	ns
$t_{pZL}$	Sleep-mode propagation delay, high-impedance-to-low-level output			5	6	8	$\mu$ s
$t_s$	Failsafe output delay time from input power loss	See <a href="#">Figure 4</a>			3		$\mu$ s
$t_{jit(PP)}$	Peak-to-peak eye-pattern jitter	ISO72x	100-Mbps NRZ data input, See <a href="#">Figure 6</a>		2		ns
			100-Mbps unrestricted bit run length data input, See <a href="#">Figure 6</a>		3		
		ISO72xM	150-Mbps NRZ data input, See <a href="#">Figure 6</a>		1		
			150-Mbps unrestricted bit run length data input, See <a href="#">Figure 6</a>		2		

(1)  $t_{sk(PP)}$  is the magnitude of the difference in propagation delay times between any specified terminals of two devices when both devices operate with the same supply voltages, at the same temperature, and have identical packages and test circuits.



PARAMETER MEASUREMENT INFORMATION

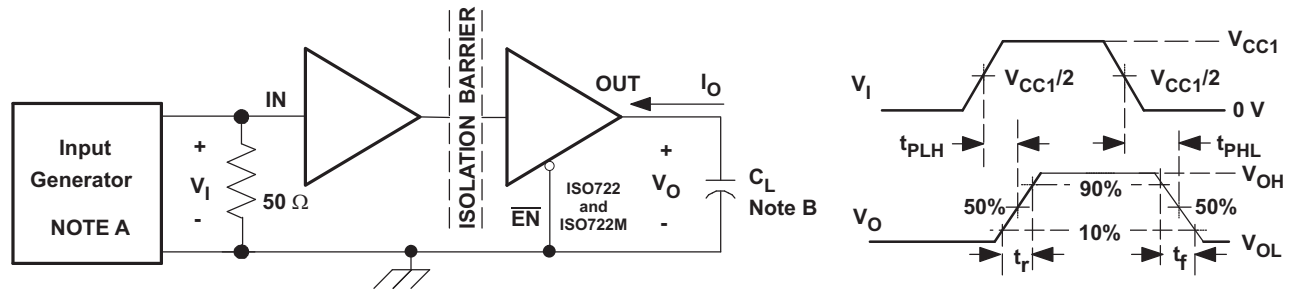


Figure 1. Switching Characteristic Test Circuit and Voltage Waveforms

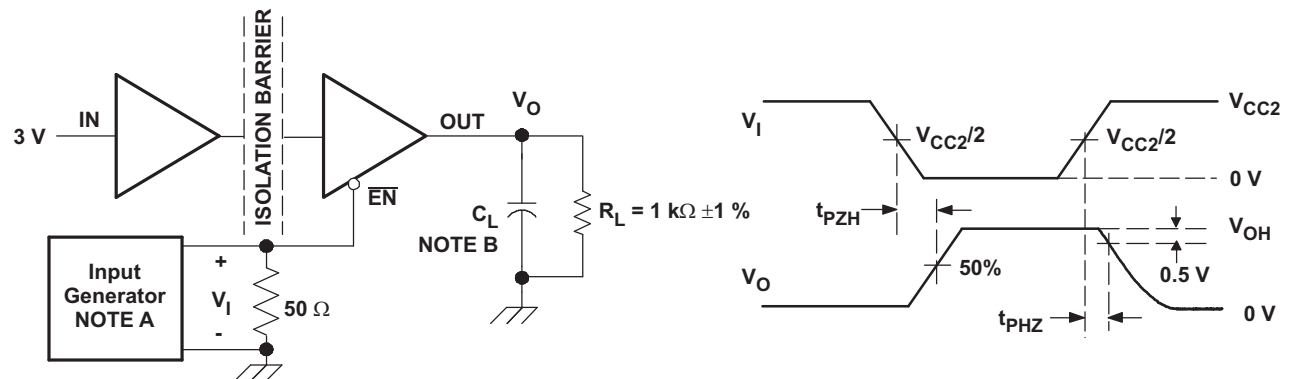


Figure 2. ISO722 Sleep-Mode High-Level Output Test Circuit and Voltage Waveforms

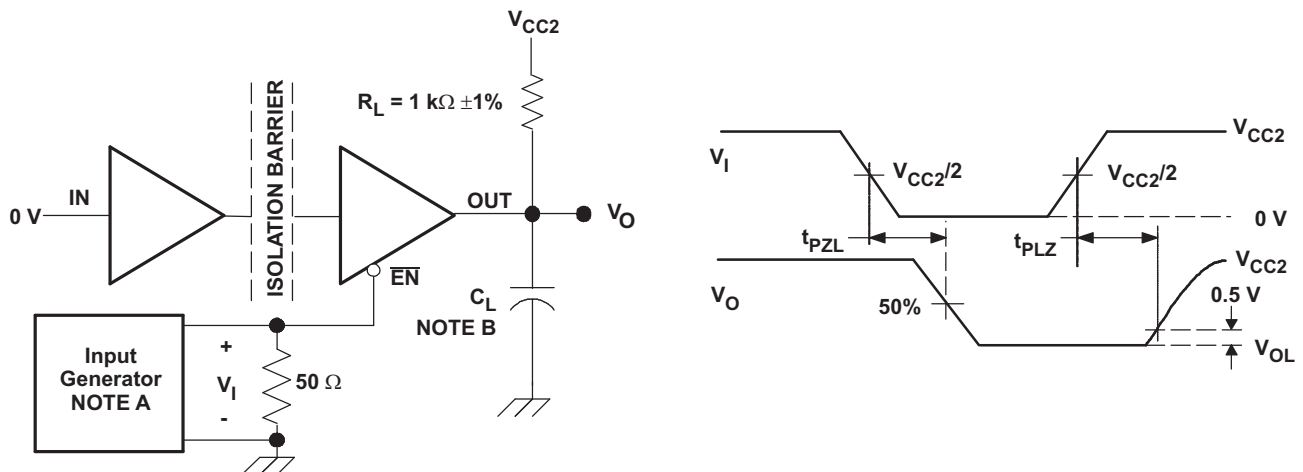
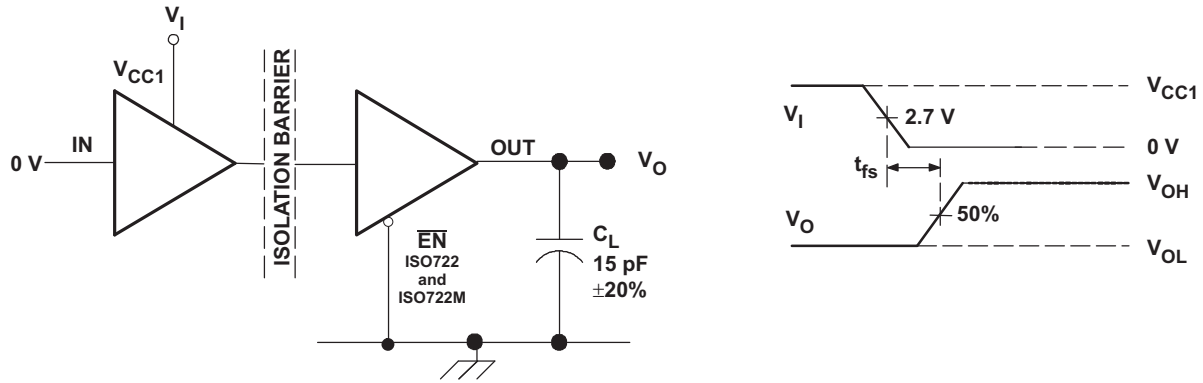


Figure 3. ISO722 Sleep-Mode Low-Level Output Test Circuit and Voltage Waveforms

NOTE

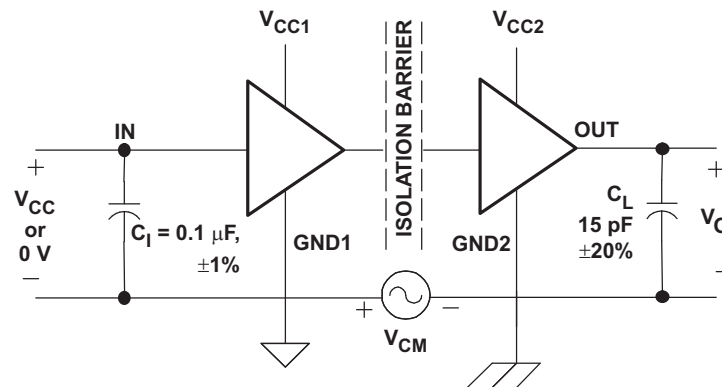
- A: The input pulse is supplied by a generator having the following characteristics:  
 $PRR \leq 50 \text{ kHz}$ , 50% duty cycle,  $t_r \leq 3 \text{ ns}$ ,  $t_f \leq 3 \text{ ns}$ ,  $Z_O = 50 \Omega$ .
- B:  $C_L = 15 \text{ pF} \pm 20\%$  and includes instrumentation and fixture capacitance.

PARAMETER MEASUREMENT INFORMATION (continued)



NOTE:  $V_I$  transition time is 100 ns.

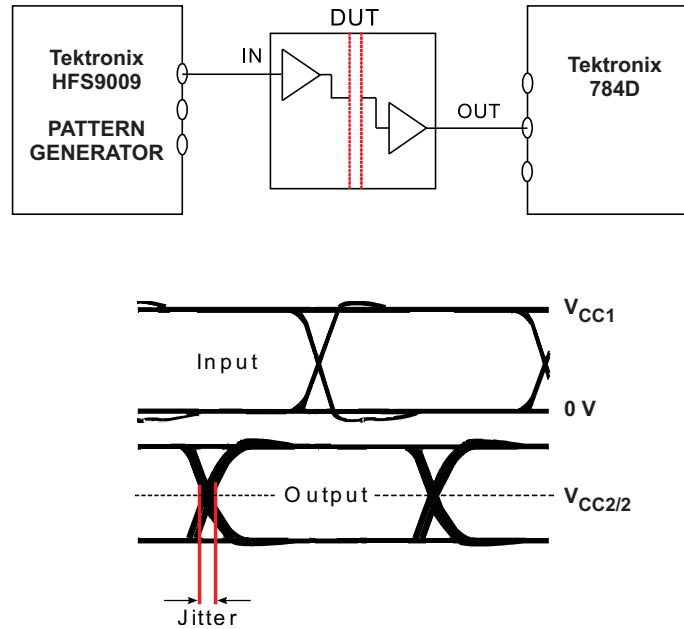
Figure 4. Failsafe Delay Time Test Circuit and Voltage Waveforms



NOTE: Pass/fail criterion is no change in  $V_O$ .

Figure 5. Common-Mode Transient-Immunity Test Circuit and Voltage Waveform

PARAMETER MEASUREMENT INFORMATION (continued)



NOTE: Bit pattern run length is  $2^{16} - 1$ . Transition time is 800 ps. NRZ data input has no more than five consecutive 1s or 0s.

Figure 6. Peak-to-Peak Eye-Pattern Jitter Test Circuit and Voltage Waveform

## DEVICE INFORMATION

### PACKAGE INSULATION CHARACTERISTICS

PARAMETER	DESCRIPTIONS / TEST CONDITIONS	MIN	TYP	MAX	UNIT
L(101) Minimum air gap (clearance) <sup>(1)</sup>	Shortest terminal-to-terminal distance through air	D-8	4.8		mm
		DUB-8	6.1		
L(102) Minimum external tracking (creepage)	Shortest terminal-to-terminal distance across the package surface	D-8	4.3		mm
		DUB-8	6.8		
C <sub>TI</sub> Tracking resistance (comparative tracking index)	DIN IEC 60112/VDE 0303 Part 1	≥ 175			V
Minimum internal gap (internal clearance)	Distance through insulation	0.008			mm
R <sub>IO</sub> Isolation resistance	Input to output, V <sub>IO</sub> = 500 V; all pins on each side of the barrier tied together, creating a two-terminal device; T <sub>A</sub> < 100°C		>10 <sup>12</sup>		Ω
	Input to output, V <sub>IO</sub> = 500 V, 100°C ≤ T <sub>A</sub> < T <sub>A</sub> max.		>10 <sup>11</sup>		Ω
C <sub>IO</sub> Barrier capacitance Input-to-output	V <sub>I</sub> = 0.4 sin (4E6πt)		1		pF
C <sub>I</sub> Input capacitance to ground	V <sub>I</sub> = 0.4 sin (4E6πt)		1		pF

- (1) Creepage and clearance requirements are applied according to the specific equipment isolation standards of an application. Care should be taken to maintain the creepage and clearance distance of a board design to ensure that the mounting pads of the isolator on the printed circuit board do not reduce this distance.

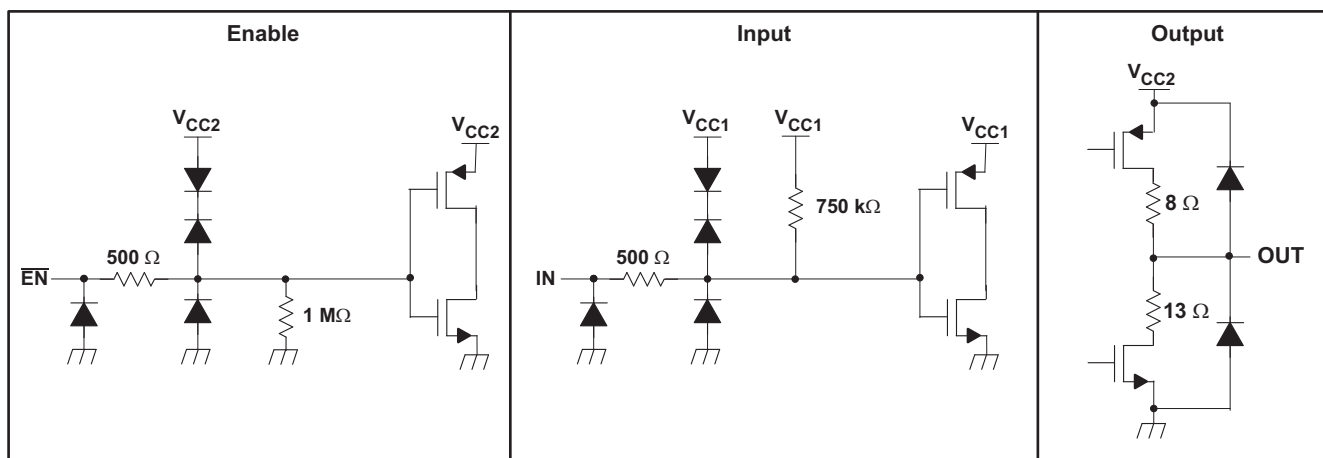
Creepage and clearance on a printed circuit board become equal according to the measurement techniques shown in the *Isolation Glossary*. Techniques such as inserting grooves and/or ribs on a printed circuit board are used to help increase these specifications.

### IEC 60664-1 RATINGS TABLE

PARAMETER	TEST CONDITIONS	SPECIFICATION
Basic isolation group	Material group	IIIa
Installation classification	Rated mains voltage ≤150 VRMS	I-IV
	Rated mains voltage ≤300 VRMS	I-III

## DEVICE I/O SCHEMATIC

### Equivalent Input and Output Schematic Diagrams



## IEC SAFETY LIMITING VALUES

Safety limiting intends to prevent potential damage to the isolation barrier upon failure of input or output circuitry. A failure of the I/O can allow low resistance to ground or the supply, and without current limiting, dissipate sufficient power to overheat the die and damage the isolation barrier, potentially leading to secondary system failures.

PARAMETER		TEST CONDITIONS	MIN	TYP	MAX	UNIT
I <sub>S</sub>	Safety input, output, or supply current	$\theta_{JA} = 263^{\circ}\text{C/W}$ , $V_I = 5.5\text{ V}$ , $T_J = 170^{\circ}\text{C}$ , $T_A = 25^{\circ}\text{C}$			100	mA
		$\theta_{JA} = 263^{\circ}\text{C/W}$ , $V_I = 3.6\text{ V}$ , $T_J = 170^{\circ}\text{C}$ , $T_A = 25^{\circ}\text{C}$			153	
T <sub>S</sub>	Maximum case temperature				150	°C

The safety-limiting constraint is the absolute maximum junction temperature specified in the absolute maximum ratings table. The power dissipation and junction-to-air thermal impedance of the device installed in the application hardware determines the junction temperature. The junction-to-air thermal resistance in the *Thermal Characteristics* table is that of a device installed in the JESD51-3, Low Effective Thermal Conductivity Test Board for Leaded Surface Mount Packages and is conservative. The power is the recommended maximum input voltage times the current. The junction temperature is then the ambient temperature plus the power times the junction-to-air thermal resistance.

**Table 2. THERMAL CHARACTERISTICS for D-8 PACKAGE  
(over recommended operating conditions unless otherwise noted)**

PARAMETER		TEST CONDITIONS	MIN	TYP	MAX	UNIT
R <sub>θJA</sub>	Junction-to-air	Low-K thermal resistance <sup>(1)</sup>		263		°C/W
		High-K thermal resistance <sup>(1)</sup>		125		°C/W
R <sub>θJB</sub>	Junction-to-board thermal resistance			44		°C/W
R <sub>θJC</sub>	Junction-to-case thermal resistance			75		°C/W
P <sub>D</sub>	Device power dissipation	ISO72x $V_{CC1} = V_{CC2} = 5.5\text{ V}$ , $T_J = 150^{\circ}\text{C}$ , $C_L = 15\text{ pF}$ , Input a 100-Mbps 50% duty-cycle square wave			159	mW
		ISO72xM $V_{CC1} = V_{CC2} = 5.5\text{ V}$ , $T_J = 150^{\circ}\text{C}$ , $C_L = 15\text{ pF}$ , Input a 150-Mbps 50% duty-cycle square wave			195	

(1) Tested in accordance with the low-K or high-K thermal metric definition of EIA/JESD51-3 for leaded surface-mount packages.

**Table 3. THERMAL CHARACTERISTICS for DUB-8 PACKAGE  
(over recommended operating conditions unless otherwise noted)**

PARAMETER		TEST CONDITIONS	MIN	TYP	MAX	UNIT
R <sub>θJA</sub>	Junction-to-air	Low-K thermal resistance <sup>(1)</sup>		188		°C/W
		High-K thermal resistance <sup>(1)</sup>		117		°C/W
R <sub>θJB</sub>	Junction-to-board thermal resistance			82.1		°C/W
R <sub>θJC</sub>	Junction-to-case thermal resistance			60		°C/W
P <sub>D</sub>	Device power dissipation	ISO721 $V_{CC1} = V_{CC2} = 5.5\text{ V}$ , $T_J = 150^{\circ}\text{C}$ , $C_L = 15\text{ pF}$ , Input a 100 Mbps 50% duty cycle square wave			159	mW

(1) Tested in accordance with the low-K or high-K thermal metric definition of EIA/JESD51-3 for leaded surface-mount packages.

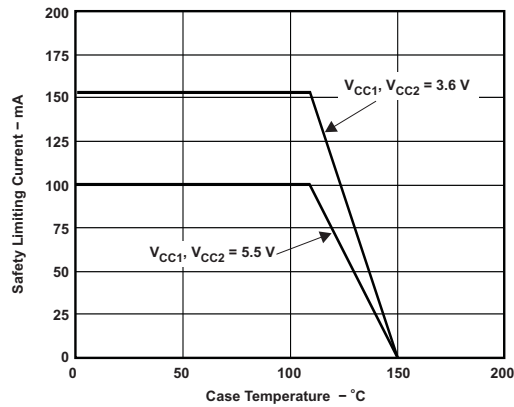


Figure 7.  $\theta_{JC}$  Thermal Derating Curve per IEC 60747-5-2

## FUNCTION TABLE

Table 4. ISO721<sup>(1)</sup>

V <sub>CC1</sub>	V <sub>CC2</sub>	INPUT (IN)	OUTPUT (OUT)
PU	PU	H	H
		L	L
		Open	H
PD	PU	X	H

(1) PU = Powered up ( $V_{CC} \geq 3$  V); PD = Powered down ( $V_{CC} \leq 2.5$  V); X = Irrelevant; H = High level; L = Low level

Table 5. ISO722<sup>(1)</sup>

V <sub>CC1</sub>	V <sub>CC2</sub>	INPUT (IN)	ISO722/ISO722M OUTPUT ENABLE ( $\overline{EN}$ )	OUTPUT (OUT)
PU	PU	H	L or open	H
		L	L or open	L
		X	H	Z
		Open	L or open	H
PD	PU	X	L or open	H
PD	PU	X	H	Z

(1) PU = Powered up ( $V_{CC} \geq 3$  V); PD = Powered down ( $V_{CC} \leq 2.5$  V); X = Irrelevant; Z = High impedance; H = High level; L = Low level

TYPICAL CHARACTERISTICS

RMS SUPPLY CURRENT vs SIGNALING RATE

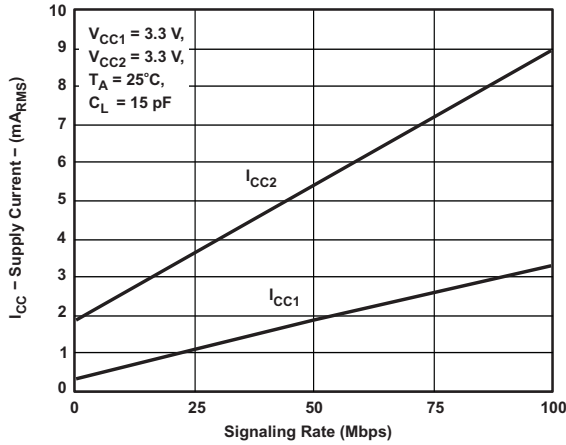


Figure 8.

RMS SUPPLY CURRENT vs SIGNALING RATE

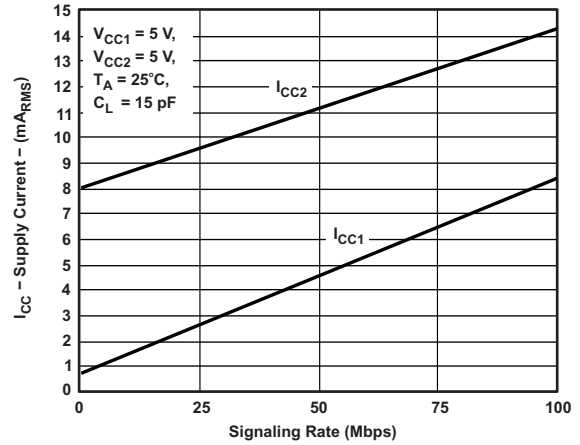


Figure 9.

PROPAGATION DELAY vs FREE-AIR TEMPERATURE

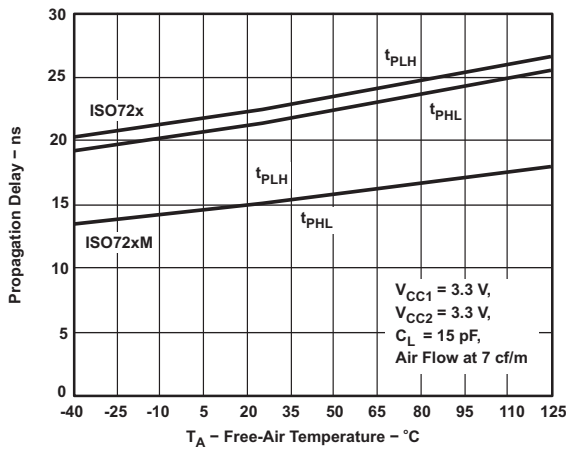


Figure 10.

PROPAGATION DELAY vs FREE-AIR TEMPERATURE

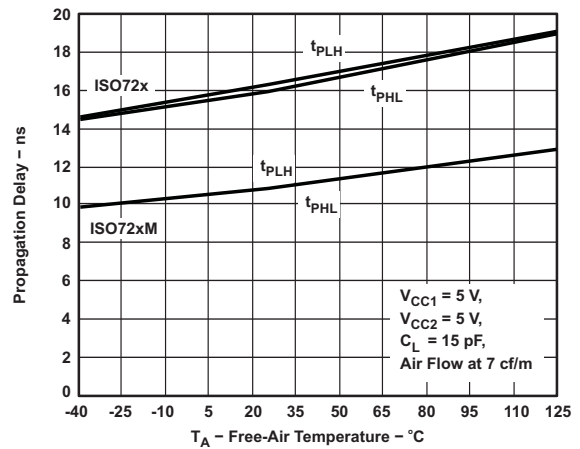


Figure 11.

ISO72x INPUT THRESHOLD VOLTAGE vs FREE-AIR TEMPERATURE

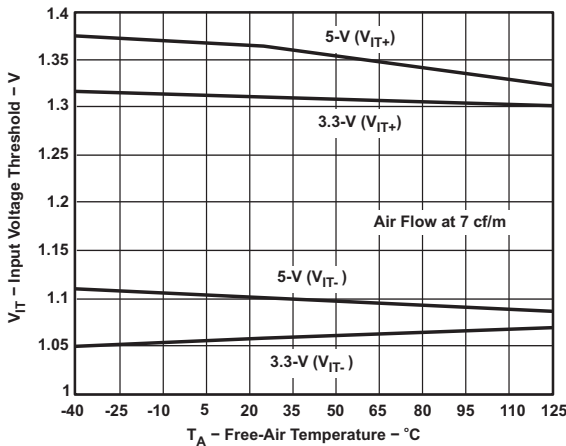


Figure 12.

ISO72xM INPUT THRESHOLD VOLTAGE vs FREE-AIR TEMPERATURE

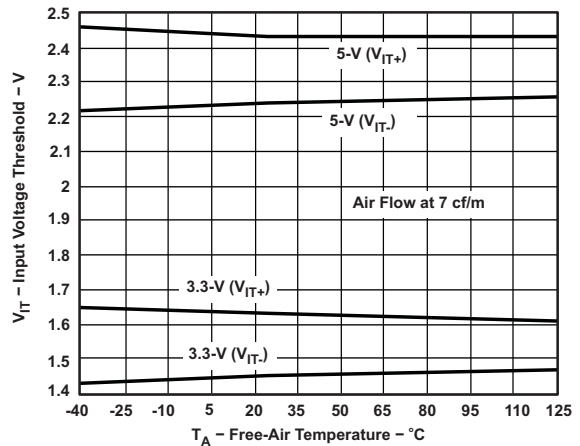


Figure 13.

TYPICAL CHARACTERISTICS (continued)

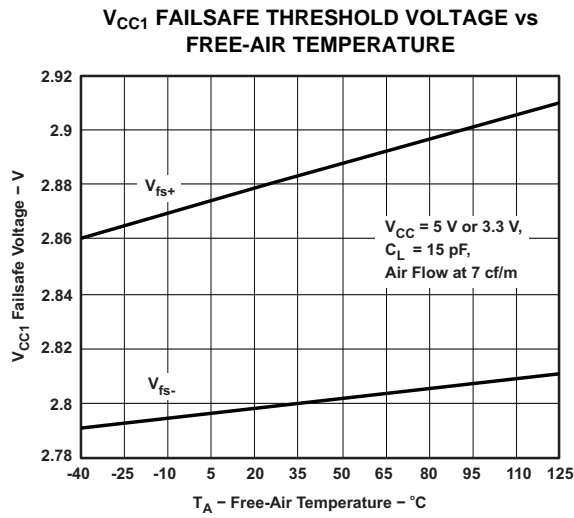


Figure 14.

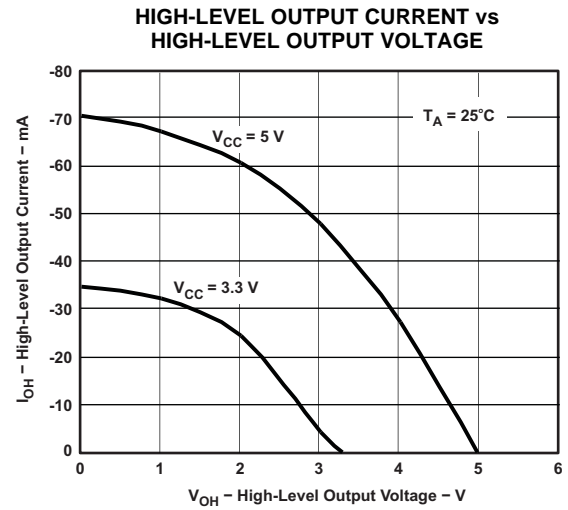


Figure 15.

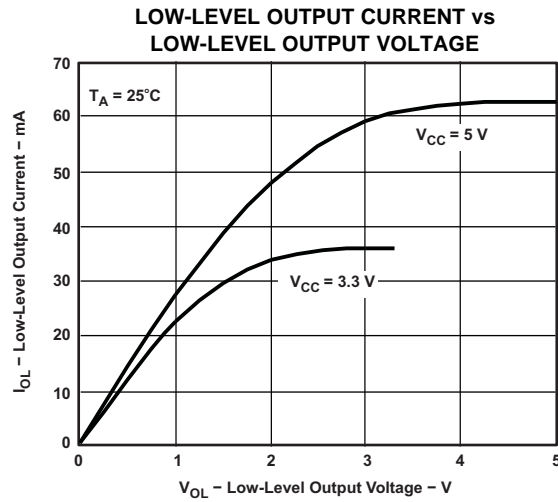


Figure 16.



APPLICATION INFORMATION

MANUFACTURER CROSS-REFERENCE DATA

The ISO72xx isolators have the same functional pinout as those of most other vendors, and they are often pin-for-pin drop-in replacements. The notable differences in the products are propagation delay, signaling rate, power consumption, and transient protection rating. Table 6 is used as a guide for replacing other isolators with the ISO72x family of single channel isolators.

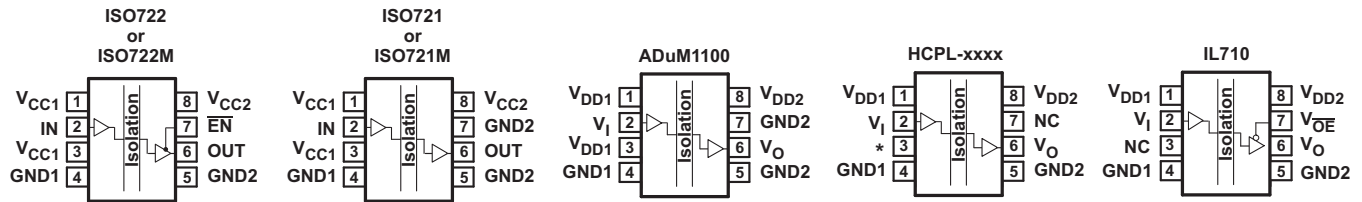


Figure 17. Pin Cross Reference

Table 6. CROSS REFERENCE

ISOLATOR	PIN 1	PIN 2	PIN 3	PIN 4	PIN 5	PIN 6	PIN 7		PIN 8
							ISO721 OR ISO721M	ISO722 OR ISO722M	
ISO721 <sup>(1) (2)</sup>	V <sub>CC1</sub>	IN	V <sub>CC1</sub>	GND1	GND2	OUT	GND2	EN	V <sub>CC2</sub>
ADuM1100 <sup>(1) (2)</sup>	V <sub>DD1</sub>	V <sub>I</sub>	V <sub>DD1</sub>	GND1	GND2	V <sub>O</sub>	GND2		V <sub>DD2</sub>
HCPL-xxxx	V <sub>DD1</sub>	V <sub>I</sub>	*Leave Open <sup>(3)</sup>	GND1	GND2	V <sub>O</sub>	NC <sup>(4)</sup>		V <sub>DD2</sub>
IL710	V <sub>DD1</sub>	V <sub>I</sub>	NC <sup>(5)</sup>	GND1	GND2	V <sub>O</sub>	V <sub>OE</sub>		V <sub>DD2</sub>

- (1) Pin 1 should be used as V<sub>CC1</sub>. Pin 3 may also be used as V<sub>CC1</sub> or left open, as long as pin 1 is connected to V<sub>CC1</sub>.
- (2) Pin 5 should be used as GND2. Pin 7 may also be used as GND2 or left open, as long as pin 5 is connected to GND2.
- (3) Pin 3 of the HCPL devices must be left open. This is not a problem when substituting an ISO72xx device, because the extra V<sub>CC1</sub> on pin 3 may be left an open circuit as well.
- (4) An HCPL device pin 7 must be left floating (open) or grounded when an ISO722 or ISO722M device is to be used as a drop-in replacement. If pin 7 of the ISO722 or ISO722M device is placed in a high logic state, the output of the device is disabled.
- (5) Pin 3 of the IL710 must not be tied to ground on the circuit board because this shorts the ISO72xx's V<sub>CC1</sub> to ground. The IL710 pin 3 may only be tied to V<sub>CC</sub> or left open to drop in an ISO72xx.

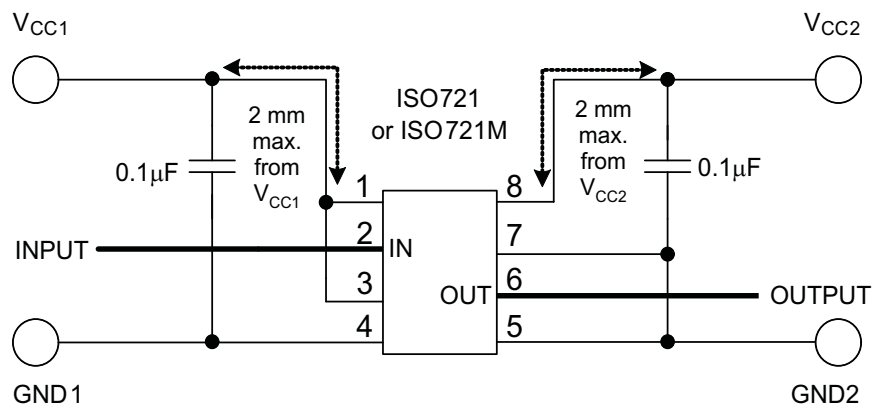
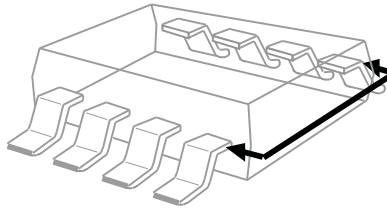


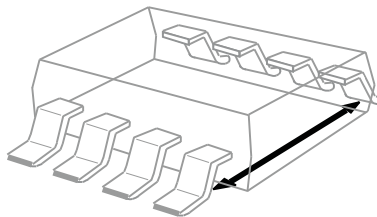
Figure 18. Basic Application Circuit

## ISOLATION GLOSSARY

**Creepage Distance** — The shortest path between two conductive input to output leads measured along the surface of the insulation. The shortest distance path is found around the end of the package body.



**Clearance** — The shortest distance between two conductive input to output leads measured through air (line of sight).



**Input-to Output Barrier Capacitance** — The total capacitance between all input terminals connected together, and all output terminals connected together.

**Input-to Output Barrier Resistance** — The total resistance between all input terminals connected together, and all output terminals connected together.

**Primary Circuit** — An internal circuit directly connected to an external supply main or other equivalent source which supplies the primary circuit electric power.

**Secondary Circuit** — A circuit with no direct connection to primary power, which derives its power from a separate isolated source.

**Comparative Tracking Index (CTI)** — CTI is an index used for electrical insulating materials that is defined as the numerical value of the voltage which causes failure by tracking during standard testing. Tracking is the process that produces a partially conducting path of localized deterioration on or through the surface of an insulating material as a result of the action of electric discharges on or close to an insulation surface -- the higher the CTI value of the insulating material, the smaller the minimum creepage distance.

Generally, insulation breakdown occurs either through the material, over its surface, or both. Surface failure may arise from flashover or from the progressive degradation of the insulation surface by small localized sparks. Such sparks are the result of the breaking of a surface film of conducting contaminant on the insulation. The resulting break in the leakage current produces an overvoltage at the site of the discontinuity, and an electric spark is generated. These sparks often cause carbonization on insulation material and lead to a carbon track between points of different potential. This process is known as *tracking*.

**Insulation:**

*Operational insulation* — Insulation needed for the correct operation of the equipment.

*Basic insulation* — Insulation to provide basic protection against electric shock.

*Supplementary insulation* — Independent insulation applied in addition to basic insulation in order to ensure protection against electric shock in the event of a failure of the basic insulation.

*Double insulation* — Insulation comprising both basic and supplementary insulation.

*Reinforced insulation* — A single insulation system which provides a degree of protection against electric shock equivalent to double insulation.

**Pollution Degree:**

*Pollution Degree 1* — No pollution, or only dry, nonconductive pollution occurs. The pollution has no influence.

*Pollution Degree 2* — Normally, only nonconductive pollution occurs. However, a temporary conductivity caused by condensation must be expected.

*Pollution Degree 3* — Conductive pollution occurs or dry nonconductive pollution occurs which becomes conductive due to condensation which is to be expected.

*Pollution Degree 4* – Continuous conductivity occurs due to conductive dust, rain, or other wet conditions.

**Installation Category:**

*Overvoltage Category* — This section is directed at insulation co-ordination by identifying the transient overvoltages which may occur, and by assigning four different levels as indicated in IEC 60664.

I: Signal level — Special equipment or parts of equipment.

II: Local level — Portable equipment, etc.

III: Distribution level — Fixed installation

IV: Primary supply level — Overhead lines, cable systems

Each category should be subject to smaller transients than the category above.

## REVISION HISTORY

Changes from Revision I (February 2010) to Revision J	Page
• Changed V to V <sub>peak</sub> in UNIT column of IEC Insulation Characteristics table .....	4
• Added row for V <sub>ISO</sub> to IEC Insulation Characteristics table .....	4
• Changed note from " .....	5
• Removed V <sub>CC2</sub> from 5-V operation, changed 3-V operation to 3.3-V operation, and removed V <sub>CC1</sub> from 3.3-V operation in note. ....	6
• Removed V <sub>CC1</sub> from 5-V operation, changed 3-V operation to 3.3-V operation, and removed V <sub>CC2</sub> from 3.3-V operation in note. ....	7
• Removed 5-V operation, changed 3-V operation to 3.3-V operation, and changed " .....	8
• Added "INSULATION" to the title of "PACKAGE CHARACTERISTICS" table .....	12
• Added "Descriptions" to header of PACKAGE INSULATION CHARACTERISTICS table .....	12

Changes from Revision H (June 2009) to Revision I	Page
• Changed 50 kV/s to 50 kV/μs .....	1

**PACKAGING INFORMATION**

Orderable Device	Status (1)	Package Type	Package Drawing	Pins	Package Qty	Eco Plan (2)	Lead/Ball Finish	MSL Peak Temp (3)	Op Temp (°C)	Top-Side Markings (4)	Samples
ISO721D	ACTIVE	SOIC	D	8	75	Green (RoHS & no Sb/Br)	CU NIPDAU	Level-1-260C-UNLIM	-40 to 125	ISO721	<a href="#">Samples</a>
ISO721DG4	ACTIVE	SOIC	D	8	75	Green (RoHS & no Sb/Br)	CU NIPDAU	Level-1-260C-UNLIM	-40 to 125	ISO721	<a href="#">Samples</a>
ISO721DR	ACTIVE	SOIC	D	8	2500	Green (RoHS & no Sb/Br)	CU NIPDAU	Level-1-260C-UNLIM	-40 to 125	ISO721	<a href="#">Samples</a>
ISO721DRG4	ACTIVE	SOIC	D	8	2500	Green (RoHS & no Sb/Br)	CU NIPDAU	Level-1-260C-UNLIM	-40 to 125	ISO721	<a href="#">Samples</a>
ISO721DUB	ACTIVE	SOP	DUB	8	50	Green (RoHS & no Sb/Br)	CU NIPDAU	Level-4-260C-72 HR	-40 to 125	ISO721	<a href="#">Samples</a>
ISO721DUBR	ACTIVE	SOP	DUB	8	350	Green (RoHS & no Sb/Br)	CU NIPDAU	Level-4-260C-72 HR	-40 to 125	ISO721	<a href="#">Samples</a>
ISO721MD	ACTIVE	SOIC	D	8	75	Green (RoHS & no Sb/Br)	CU NIPDAU	Level-1-260C-UNLIM	-40 to 125	IS721M	<a href="#">Samples</a>
ISO721MDG4	ACTIVE	SOIC	D	8	75	Green (RoHS & no Sb/Br)	CU NIPDAU	Level-1-260C-UNLIM	-40 to 125	IS721M	<a href="#">Samples</a>
ISO721MDR	ACTIVE	SOIC	D	8	2500	Green (RoHS & no Sb/Br)	CU NIPDAU	Level-1-260C-UNLIM	-40 to 125	IS721M	<a href="#">Samples</a>
ISO721MDRG4	ACTIVE	SOIC	D	8	2500	Green (RoHS & no Sb/Br)	CU NIPDAU	Level-1-260C-UNLIM	-40 to 125	IS721M	<a href="#">Samples</a>
ISO722D	ACTIVE	SOIC	D	8	75	Green (RoHS & no Sb/Br)	CU NIPDAU	Level-1-260C-UNLIM	-40 to 125	ISO722	<a href="#">Samples</a>
ISO722DG4	ACTIVE	SOIC	D	8	75	Green (RoHS & no Sb/Br)	CU NIPDAU	Level-1-260C-UNLIM	-40 to 125	ISO722	<a href="#">Samples</a>
ISO722DR	ACTIVE	SOIC	D	8	2500	Green (RoHS & no Sb/Br)	CU NIPDAU	Level-1-260C-UNLIM	-40 to 125	ISO722	<a href="#">Samples</a>
ISO722DRG4	ACTIVE	SOIC	D	8	2500	Green (RoHS & no Sb/Br)	CU NIPDAU	Level-1-260C-UNLIM	-40 to 125	ISO722	<a href="#">Samples</a>
ISO722MD	ACTIVE	SOIC	D	8	75	Green (RoHS & no Sb/Br)	CU NIPDAU	Level-1-260C-UNLIM	-40 to 125	IS722M	<a href="#">Samples</a>
ISO722MDG4	ACTIVE	SOIC	D	8	75	Green (RoHS & no Sb/Br)	CU NIPDAU	Level-1-260C-UNLIM	-40 to 125	IS722M	<a href="#">Samples</a>
ISO722MDR	ACTIVE	SOIC	D	8	2500	Green (RoHS & no Sb/Br)	CU NIPDAU	Level-1-260C-UNLIM	-40 to 125	IS722M	<a href="#">Samples</a>

Orderable Device	Status (1)	Package Type	Package Drawing	Pins	Package Qty	Eco Plan (2)	Lead/Ball Finish	MSL Peak Temp (3)	Op Temp (°C)	Top-Side Markings (4)	Samples
ISO722MDRG4	ACTIVE	SOIC	D	8	2500	Green (RoHS & no Sb/Br)	CU NIPDAU	Level-1-260C-UNLIM	-40 to 125	IS722M	<a href="#">Samples</a>

(1) The marketing status values are defined as follows:

**ACTIVE:** Product device recommended for new designs.

**LIFEBUY:** TI has announced that the device will be discontinued, and a lifetime-buy period is in effect.

**NRND:** Not recommended for new designs. Device is in production to support existing customers, but TI does not recommend using this part in a new design.

**PREVIEW:** Device has been announced but is not in production. Samples may or may not be available.

**OBSOLETE:** TI has discontinued the production of the device.

(2) Eco Plan - The planned eco-friendly classification: Pb-Free (RoHS), Pb-Free (RoHS Exempt), or Green (RoHS & no Sb/Br) - please check <http://www.ti.com/productcontent> for the latest availability information and additional product content details.

**TBD:** The Pb-Free/Green conversion plan has not been defined.

**Pb-Free (RoHS):** TI's terms "Lead-Free" or "Pb-Free" mean semiconductor products that are compatible with the current RoHS requirements for all 6 substances, including the requirement that lead not exceed 0.1% by weight in homogeneous materials. Where designed to be soldered at high temperatures, TI Pb-Free products are suitable for use in specified lead-free processes.

**Pb-Free (RoHS Exempt):** This component has a RoHS exemption for either 1) lead-based flip-chip solder bumps used between the die and package, or 2) lead-based die adhesive used between the die and leadframe. The component is otherwise considered Pb-Free (RoHS compatible) as defined above.

**Green (RoHS & no Sb/Br):** TI defines "Green" to mean Pb-Free (RoHS compatible), and free of Bromine (Br) and Antimony (Sb) based flame retardants (Br or Sb do not exceed 0.1% by weight in homogeneous material)

(3) MSL, Peak Temp. -- The Moisture Sensitivity Level rating according to the JEDEC industry standard classifications, and peak solder temperature.

(4) Multiple Top-Side Markings will be inside parentheses. Only one Top-Side Marking contained in parentheses and separated by a "~" will appear on a device. If a line is indented then it is a continuation of the previous line and the two combined represent the entire Top-Side Marking for that device.

**Important Information and Disclaimer:** The information provided on this page represents TI's knowledge and belief as of the date that it is provided. TI bases its knowledge and belief on information provided by third parties, and makes no representation or warranty as to the accuracy of such information. Efforts are underway to better integrate information from third parties. TI has taken and continues to take reasonable steps to provide representative and accurate information but may not have conducted destructive testing or chemical analysis on incoming materials and chemicals. TI and TI suppliers consider certain information to be proprietary, and thus CAS numbers and other limited information may not be available for release.

In no event shall TI's liability arising out of such information exceed the total purchase price of the TI part(s) at issue in this document sold by TI to Customer on an annual basis.

#### OTHER QUALIFIED VERSIONS OF ISO721, ISO721M, ISO722 :

● Automotive: [ISO721-Q1](#), [ISO722-Q1](#)

● Enhanced Product: [ISO721M-EP](#)

**NOTE: Qualified Version Definitions:**

- Automotive - Q100 devices qualified for high-reliability automotive applications targeting zero defects
- Enhanced Product - Supports Defense, Aerospace and Medical Applications

## TAPE AND REEL INFORMATION



### QUADRANT ASSIGNMENTS FOR PIN 1 ORIENTATION IN TAPE



\*All dimensions are nominal

Device	Package Type	Package Drawing	Pins	SPQ	Reel Diameter (mm)	Reel Width W1 (mm)	A0 (mm)	B0 (mm)	K0 (mm)	P1 (mm)	W (mm)	Pin1 Quadrant
ISO721DR	SOIC	D	8	2500	330.0	12.4	6.4	5.2	2.1	8.0	12.0	Q1
ISO721DUBR	SOP	DUB	8	350	330.0	24.4	10.9	10.01	5.85	16.0	24.0	Q1
ISO721MDR	SOIC	D	8	2500	330.0	12.4	6.4	5.2	2.1	8.0	12.0	Q1

**TAPE AND REEL BOX DIMENSIONS**

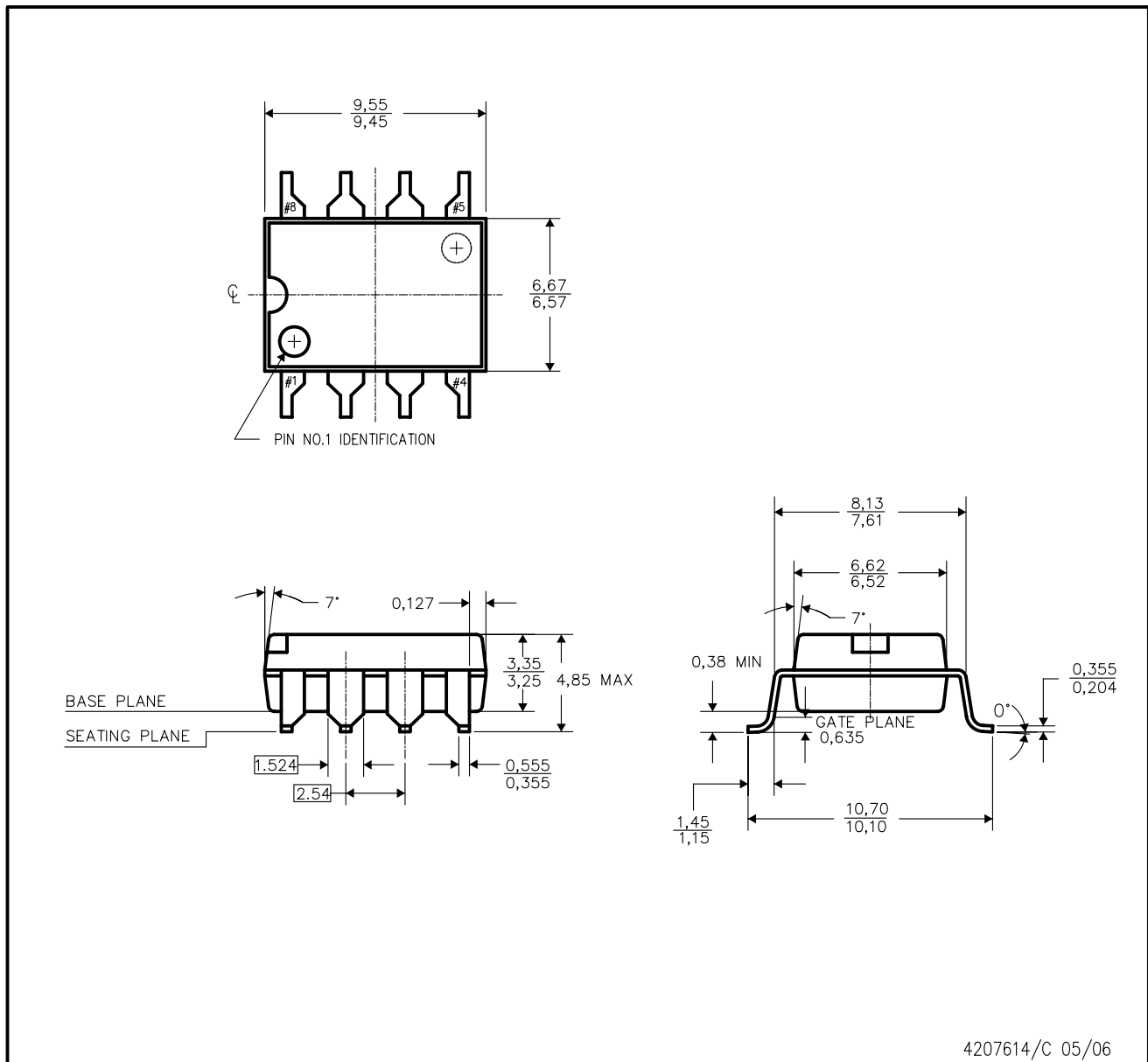

\*All dimensions are nominal

Device	Package Type	Package Drawing	Pins	SPQ	Length (mm)	Width (mm)	Height (mm)
ISO721DR	SOIC	D	8	2500	367.0	367.0	35.0
ISO721DUBR	SOP	DUB	8	350	358.0	335.0	35.0
ISO721MDR	SOIC	D	8	2500	367.0	367.0	35.0



DUB (R-PDSO-G8)

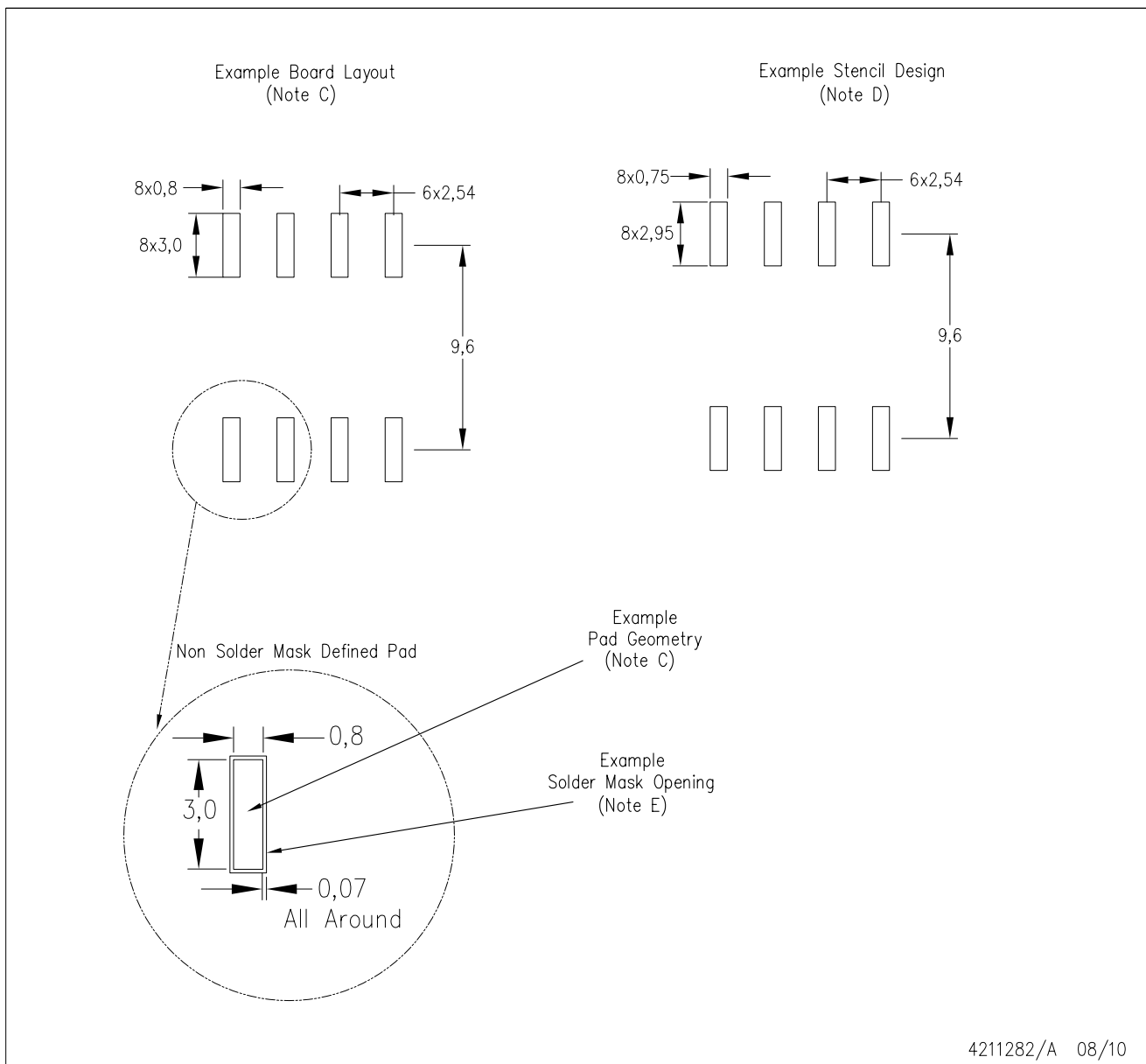
PLASTIC SMALL-OUTLINE



- NOTES:
- A. All linear dimensions are in millimeters. Dimensioning and tolerancing per ANSI Y14.5 M-1982.
  - B. This drawing is subject to change without notice.
  - C. Dimensions do not include mold flash or protrusions. Mold flash or protrusions shall not exceed 0.254mm.

DUB (R-PDSO-G8)

PLASTIC SMALL OUTLINE

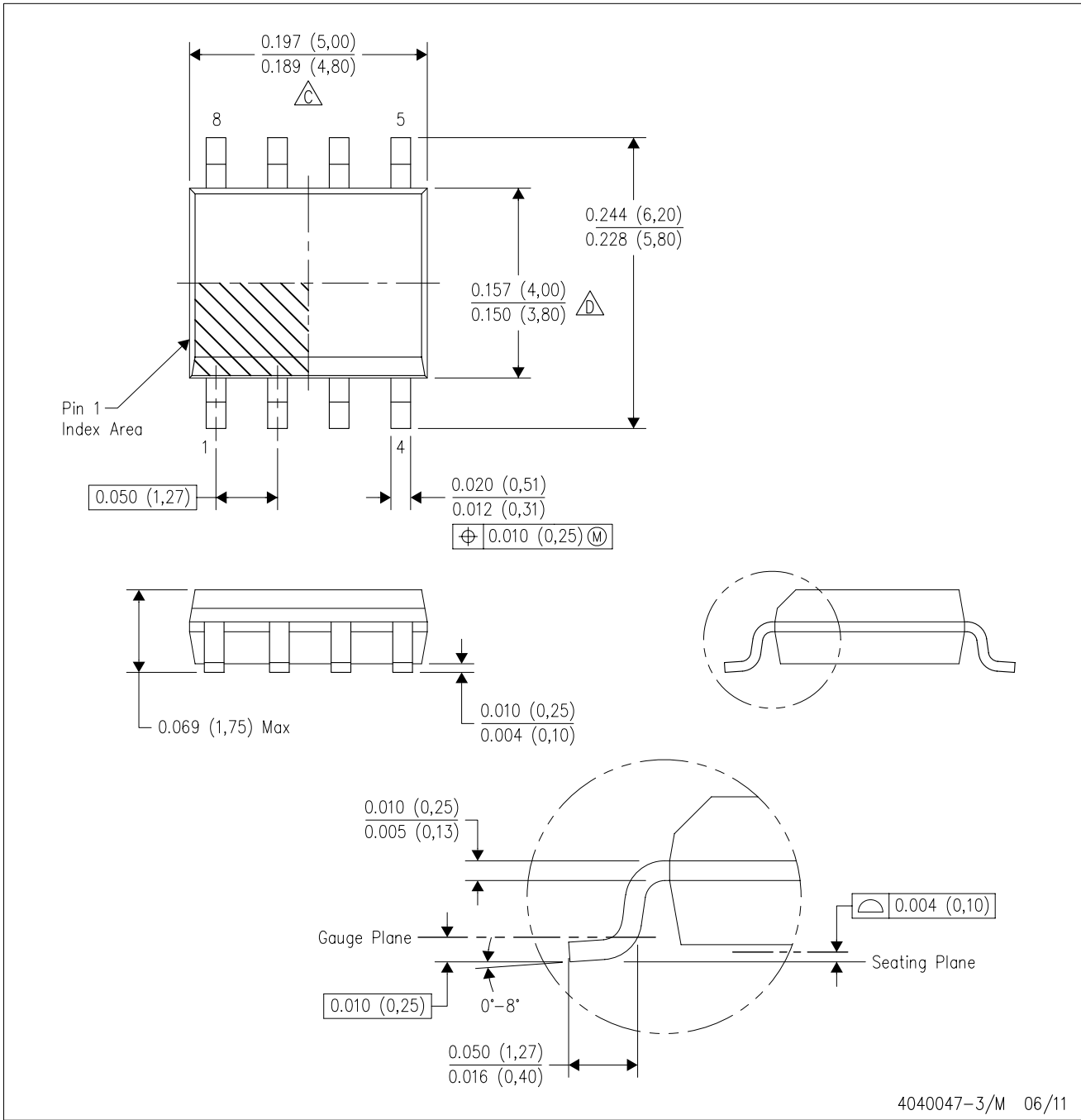


4211282/A 08/10

- NOTES:
- A. All linear dimensions are in millimeters.
  - B. This drawing is subject to change without notice.
  - C. Publication IPC-7351 is recommended for alternate designs.
  - D. Laser cutting apertures with trapezoidal walls and also rounding corners will offer better paste release. Customers should contact their board assembly site for stencil design recommendations. Refer to IPC-7525.
  - E. Customers should contact their board fabrication site for solder mask tolerances between and around signal pads.

D (R-PDSO-G8)

PLASTIC SMALL OUTLINE



- NOTES:
- A. All linear dimensions are in inches (millimeters).
  - B. This drawing is subject to change without notice.
  - $\triangle C$  Body length does not include mold flash, protrusions, or gate burrs. Mold flash, protrusions, or gate burrs shall not exceed 0.006 (0,15) each side.
  - $\triangle D$  Body width does not include interlead flash. Interlead flash shall not exceed 0.017 (0,43) each side.
  - E. Reference JEDEC MS-012 variation AA.

D (R-PDSO-G8)

PLASTIC SMALL OUTLINE



4211283-2/E 08/12

- NOTES:
- A. All linear dimensions are in millimeters.
  - B. This drawing is subject to change without notice.
  - C. Publication IPC-7351 is recommended for alternate designs.
  - D. Laser cutting apertures with trapezoidal walls and also rounding corners will offer better paste release. Customers should contact their board assembly site for stencil design recommendations. Refer to IPC-7525 for other stencil recommendations.
  - E. Customers should contact their board fabrication site for solder mask tolerances between and around signal pads.

## IMPORTANT NOTICE

Texas Instruments Incorporated and its subsidiaries (TI) reserve the right to make corrections, enhancements, improvements and other changes to its semiconductor products and services per JESD46, latest issue, and to discontinue any product or service per JESD48, latest issue. Buyers should obtain the latest relevant information before placing orders and should verify that such information is current and complete. All semiconductor products (also referred to herein as "components") are sold subject to TI's terms and conditions of sale supplied at the time of order acknowledgment.

TI warrants performance of its components to the specifications applicable at the time of sale, in accordance with the warranty in TI's terms and conditions of sale of semiconductor products. Testing and other quality control techniques are used to the extent TI deems necessary to support this warranty. Except where mandated by applicable law, testing of all parameters of each component is not necessarily performed.

TI assumes no liability for applications assistance or the design of Buyers' products. Buyers are responsible for their products and applications using TI components. To minimize the risks associated with Buyers' products and applications, Buyers should provide adequate design and operating safeguards.

TI does not warrant or represent that any license, either express or implied, is granted under any patent right, copyright, mask work right, or other intellectual property right relating to any combination, machine, or process in which TI components or services are used. Information published by TI regarding third-party products or services does not constitute a license to use such products or services or a warranty or endorsement thereof. Use of such information may require a license from a third party under the patents or other intellectual property of the third party, or a license from TI under the patents or other intellectual property of TI.

Reproduction of significant portions of TI information in TI data books or data sheets is permissible only if reproduction is without alteration and is accompanied by all associated warranties, conditions, limitations, and notices. TI is not responsible or liable for such altered documentation. Information of third parties may be subject to additional restrictions.

Resale of TI components or services with statements different from or beyond the parameters stated by TI for that component or service voids all express and any implied warranties for the associated TI component or service and is an unfair and deceptive business practice. TI is not responsible or liable for any such statements.

Buyer acknowledges and agrees that it is solely responsible for compliance with all legal, regulatory and safety-related requirements concerning its products, and any use of TI components in its applications, notwithstanding any applications-related information or support that may be provided by TI. Buyer represents and agrees that it has all the necessary expertise to create and implement safeguards which anticipate dangerous consequences of failures, monitor failures and their consequences, lessen the likelihood of failures that might cause harm and take appropriate remedial actions. Buyer will fully indemnify TI and its representatives against any damages arising out of the use of any TI components in safety-critical applications.

In some cases, TI components may be promoted specifically to facilitate safety-related applications. With such components, TI's goal is to help enable customers to design and create their own end-product solutions that meet applicable functional safety standards and requirements. Nonetheless, such components are subject to these terms.

No TI components are authorized for use in FDA Class III (or similar life-critical medical equipment) unless authorized officers of the parties have executed a special agreement specifically governing such use.

Only those TI components which TI has specifically designated as military grade or "enhanced plastic" are designed and intended for use in military/aerospace applications or environments. Buyer acknowledges and agrees that any military or aerospace use of TI components which have **not** been so designated is solely at the Buyer's risk, and that Buyer is solely responsible for compliance with all legal and regulatory requirements in connection with such use.

TI has specifically designated certain components as meeting ISO/TS16949 requirements, mainly for automotive use. In any case of use of non-designated products, TI will not be responsible for any failure to meet ISO/TS16949.

### Products

Audio	<a href="http://www.ti.com/audio">www.ti.com/audio</a>
Amplifiers	<a href="http://amplifier.ti.com">amplifier.ti.com</a>
Data Converters	<a href="http://dataconverter.ti.com">dataconverter.ti.com</a>
DLP® Products	<a href="http://www.dlp.com">www.dlp.com</a>
DSP	<a href="http://dsp.ti.com">dsp.ti.com</a>
Clocks and Timers	<a href="http://www.ti.com/clocks">www.ti.com/clocks</a>
Interface	<a href="http://interface.ti.com">interface.ti.com</a>
Logic	<a href="http://logic.ti.com">logic.ti.com</a>
Power Mgmt	<a href="http://power.ti.com">power.ti.com</a>
Microcontrollers	<a href="http://microcontroller.ti.com">microcontroller.ti.com</a>
RFID	<a href="http://www.ti-rfid.com">www.ti-rfid.com</a>
OMAP Applications Processors	<a href="http://www.ti.com/omap">www.ti.com/omap</a>
Wireless Connectivity	<a href="http://www.ti.com/wirelessconnectivity">www.ti.com/wirelessconnectivity</a>

### Applications

Automotive and Transportation	<a href="http://www.ti.com/automotive">www.ti.com/automotive</a>
Communications and Telecom	<a href="http://www.ti.com/communications">www.ti.com/communications</a>
Computers and Peripherals	<a href="http://www.ti.com/computers">www.ti.com/computers</a>
Consumer Electronics	<a href="http://www.ti.com/consumer-apps">www.ti.com/consumer-apps</a>
Energy and Lighting	<a href="http://www.ti.com/energy">www.ti.com/energy</a>
Industrial	<a href="http://www.ti.com/industrial">www.ti.com/industrial</a>
Medical	<a href="http://www.ti.com/medical">www.ti.com/medical</a>
Security	<a href="http://www.ti.com/security">www.ti.com/security</a>
Space, Avionics and Defense	<a href="http://www.ti.com/space-avionics-defense">www.ti.com/space-avionics-defense</a>
Video and Imaging	<a href="http://www.ti.com/video">www.ti.com/video</a>

### TI E2E Community

[e2e.ti.com](http://e2e.ti.com)