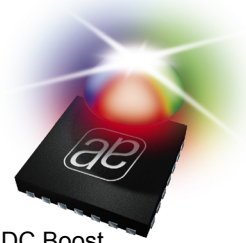


AS3645

1000/720mA Ultra Small High efficient single/dual LED Flash Driver with Safety Features



1 General Description

The AS3645 is an inductive high efficient DCDC step up converter with two current sources. The DCDC step up converter operates at a fixed frequency of 2MHz and includes soft startup to allow easy integration into noise sensitive RF systems. The two current sources (one for driving one or two flash LEDs and one for the indicator LED) can operate in flash / torch / assist (=video) light / indicator modes. If a two flash LEDs configuration is used, the LEDs are connected in series. Therefore identical current is guaranteed.

The AS3645 includes flash timeout, overvoltage, over-temperature, undervoltage and LED short circuit protection functions.

The AS3645 can be controlled either with parallel interface mode to allow simple integration. Alternatively it can be controlled by I²C mode to allow a more sophisticated control of all settings like currents and timings. The interface is selected by a dedicated pin (I2C/EN).

The AS3645 is available in a space-saving WL-CSP package measuring only 2x1.6mm and operates over the -30°C to +85°C temperature range.

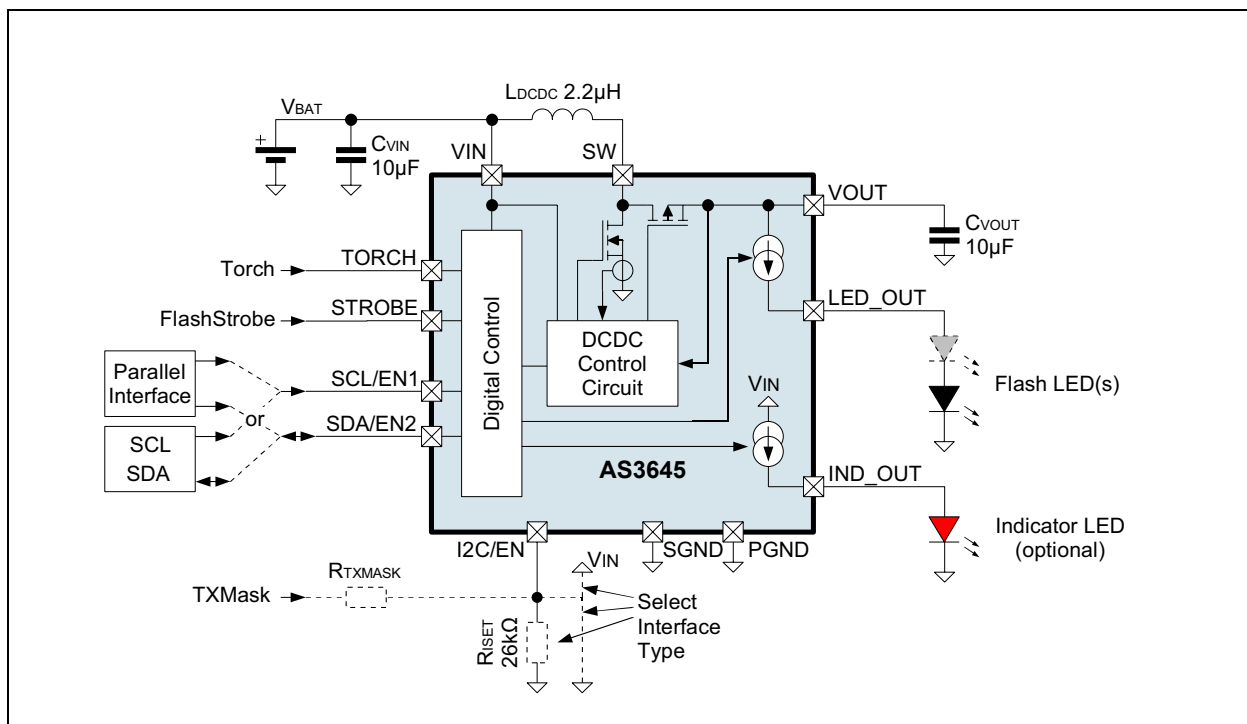
2 Key Features

- High efficiency 2MHz fixed frequency DCDC Boost converter with soft start allows small coils
 - Stable even in coil current limit
- High Flash LED(s) current (720mA for single flash LED, 1000mA (2x500mA) for dual flash LED)
- Separate Indicator LED output
- Flash LED(s) cathode connected to ground: Improved thermal performance (ground = heat sink) Simplified PCB layout
- Flash, Torch, Assist and Indicator Mode
- Protection functions:
 - Automatic Flash Timeout timer to protect the LED(s)
 - Overvoltage and undervoltage Protection
 - Overtemperature Protection
 - LED(s) short circuit protection
- Dual Interface selectable by pin (parallel interface mode and I²C mode)
- Available in tiny WL-CSP Packages
 - 3x4 balls 0.5mm pitch, 2x1.6mm package size

3 Applications

Flash/Torch for mobile phones, digital cameras and PDA

Figure 1. Typical Operating Circuit



Copyrights

Copyright © 1997-2010, austriamicrosystems AG, Schloss Premstaetten, 8141 Unterpremstaetten, Austria-Europe. Trademarks Registered ®. All rights reserved. The material herein may not be reproduced, adapted, merged, translated, stored, or used without the prior written consent of the copyright owner.

All products and companies mentioned are trademarks or registered trademarks of their respective companies.

Disclaimer

Devices sold by austriamicrosystems AG are covered by the warranty and patent indemnification provisions appearing in its Term of Sale. austriamicrosystems AG makes no warranty, express, statutory, implied, or by description regarding the information set forth herein or regarding the freedom of the described devices from patent infringement. austriamicrosystems AG reserves the right to change specifications and prices at any time and without notice. Therefore, prior to designing this product into a system, it is necessary to check with austriamicrosystems AG for current information. This product is intended for use in normal commercial applications. Applications requiring extended temperature range, unusual environmental requirements, or high reliability applications, such as military, medical life-support or life-sustaining equipment are specifically not recommended without additional processing by austriamicrosystems AG for each application. For shipments of less than 100 parts the manufacturing flow might show deviations from the standard production flow, such as test flow or test location.

The information furnished here by austriamicrosystems AG is believed to be correct and accurate. However, austriamicrosystems AG shall not be liable to recipient or any third party for any damages, including but not limited to personal injury, property damage, loss of profits, loss of use, interruption of business or indirect, special, incidental or consequential damages, of any kind, in connection with or arising out of the furnishing, performance or use of the technical data herein. No obligation or liability to recipient or any third party shall arise or flow out of austriamicrosystems AG rendering of technical or other services.



Contact Information

Headquarters

austriamicrosystems AG
A-8141 Schloss Premstaetten, Austria

Tel: +43 (0) 3136 500 0
Fax: +43 (0) 3136 525 01

For Sales Offices, Distributors and Representatives, please visit:

<http://www.austriamicrosystems.com/contact>