



Micro Commercial Components

Micro Commercial Components
 20736 Marilla Street Chatsworth
 CA 91311
 Phone: (818) 701-4933
 Fax: (818) 701-4939

LMB2S THRU LMB8S

Features

- Low Profile: Typical height of 1.4mm
- High Temperature Soldering Guaranteed: 260°C/40 Second
- High surge current capability

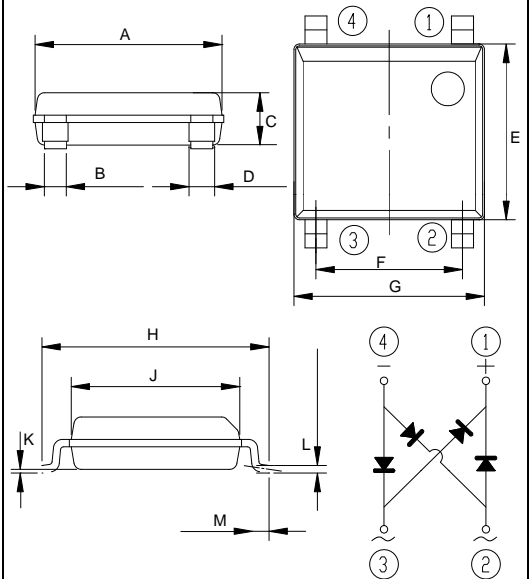
Mechanical Data

- Lead Free Finish/RoHS Compliant (NOTE 1) ("P" Suffix designates RoHS Compliant. See ordering information)
- Case Material: Molded Plastic. UL Flammability Classification Rating 94V-0 and MSL Rating 1
- Terminals: Matte tin plated leads, solderable per J-STD-002B and JESD22-B102D

| MCC Part Number | Device Marking | Maximum Recurrent Peak Reverse Voltage | Maximum RMS Voltage | Maximum DC Blocking Voltage |
|-----------------|----------------|--|---------------------|-----------------------------|
| LMB2S | LB2S | 200V | 140V | 200V |
| LMB4S | LB4S | 400V | 280V | 400V |
| LMB6S | LB6S | 600V | 420V | 600V |
| LMB8S | LB8S | 800V | 560V | 800V |

1.0 Amp Single Phase Glass Passivated Bridge Rectifier 200 to 800 Volts

LMBS -1

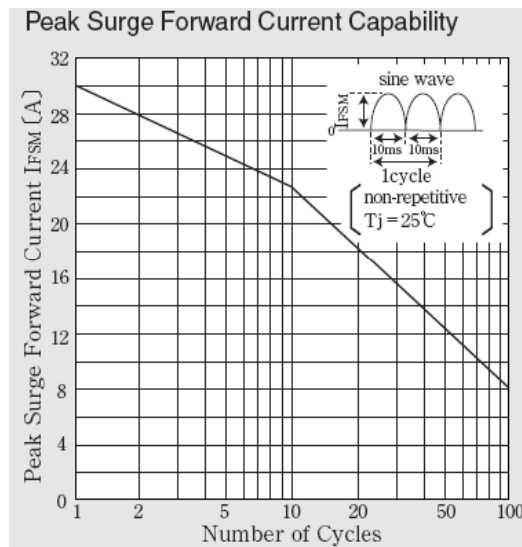
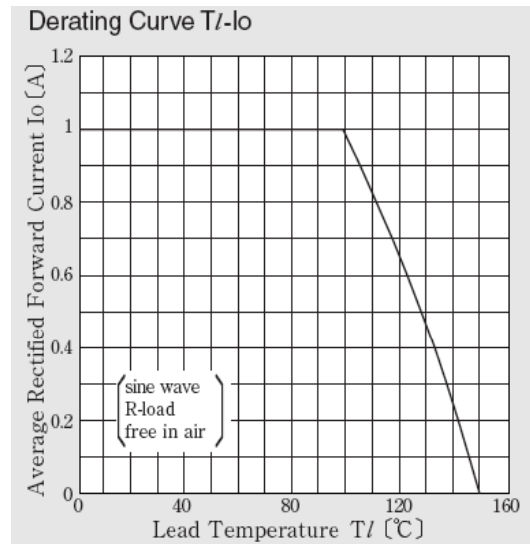
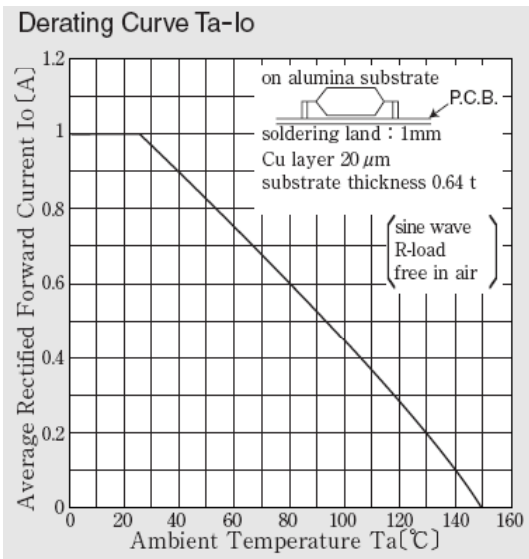
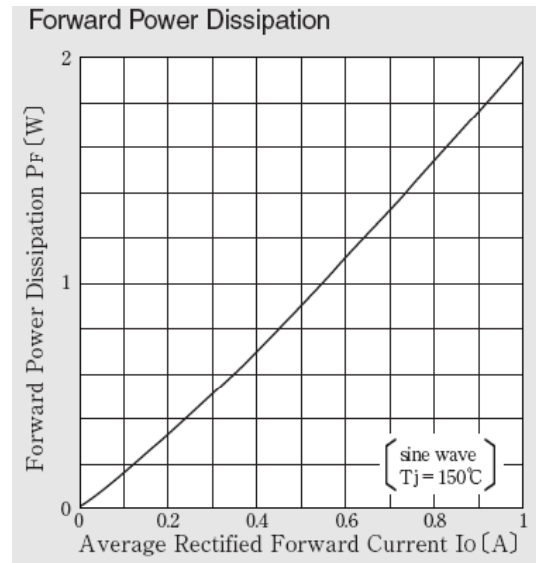
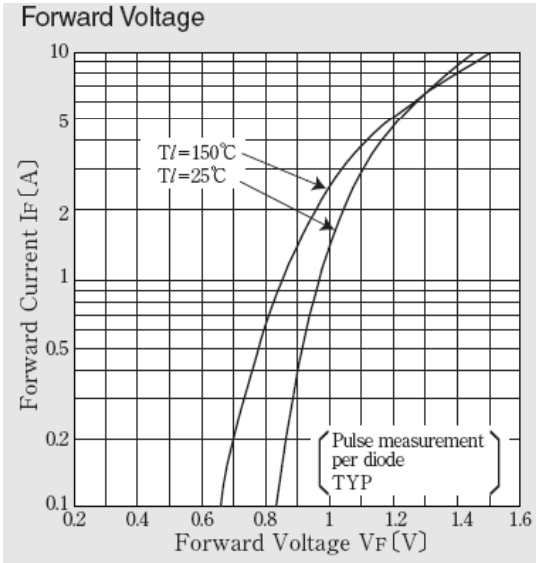


Electrical Characteristics @ 25°C Unless Otherwise Specified

| | | | |
|---|--------------------|---------------------|---|
| Average Forward Current | $I_{F(AV)}$ | 1.0 A 0.8 A | on glass-epoxy P.C.B on aluminum substrate |
| Peak Forward Surge Current | I_{FSM} | 30A | 8.3ms, half sine |
| Maximum Instantaneous Forward Voltage | V_F | 0.95V | $I_{FM} = 0.4A$; $T_A = 25^\circ C$ |
| Maximum DC Reverse Current At Rated DC Blocking Voltage | I_R | 5uA 500uA | $T_A = 25^\circ C$ $T_A = 125^\circ C$ |
| Typical Thermal Resistance | R_{thJA} | 80°C/W | Note 2 |
| | R_{thJL} | 25°C/W | |
| Rating For Fusing | I^2t | 3.0A ² s | t<8.30ms |
| Operating Junction and Storage Temperature Range | T_J T_{STG} | -55to+150 °C | |

| DIM | DIMENSIONS | | | | NOTE |
|-----|------------|------|------|------|------|
| | INC HES | | MM | | |
| | MIN | MAX | MIN | MAX | |
| A | .197 | .205 | 5.00 | 5.20 | |
| B | .024 | | 0.6 | | |
| C | ---- | .059 | ---- | 1.50 | |
| D | .024 | .032 | 0.60 | 0.80 | |
| E | ---- | .189 | ---- | 4.80 | |
| F | .150 | .165 | 3.80 | 4.20 | |
| G | ---- | .209 | ---- | 5.30 | |
| H | .236 | .252 | 6.00 | 6.40 | |
| J | .177 | .185 | 4.50 | 4.70 | |
| K | .009 | .004 | 0.02 | 0.10 | |
| L | .006 | .012 | 0.15 | 0.30 | |
| M | .017 | .019 | 0.43 | 0.47 | |

- Notes: 1. High Temperature Solder Exemption Applied, see EU Directive Annex Notes 7
 2. Device mounted P.C.B with 0.47x0.47"(12mmx12mm) Copper Pads.





TM

Micro Commercial Components

Ordering Information

| | |
|------------------|---------------------------|
| Device | Packing |
| (Part Number)-TP | Tape&Reel;5Kpcs/Reel(13") |

IMPORTANT NOTICE

Micro Commercial Components Corp. reserves the right to make changes without further notice to any product herein to make corrections, modifications, enhancements, improvements, or other changes. *Micro Commercial Components Corp.* does not assume any liability arising out of the application or use of any product described herein; neither does it convey any license under its patent rights, nor the rights of others. The user of products in such applications shall assume all risks of such use and will agree to hold *Micro Commercial Components Corp.* and all the companies whose products are represented on our website, harmless against all damages.

APPLICATIONS DISCLAIMER

Products offer by *Micro Commercial Components Corp.* are not intended for use in Medical, Aerospace or Military Applications.

www.mccsemi.com